

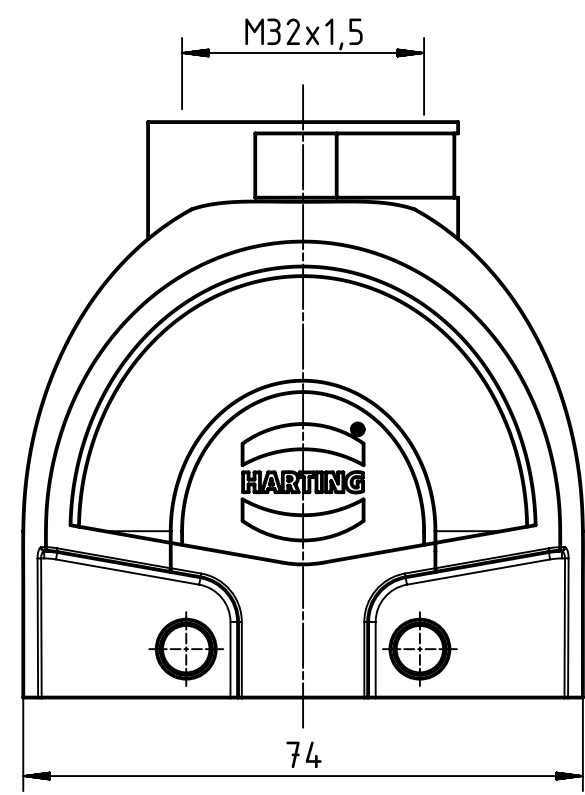
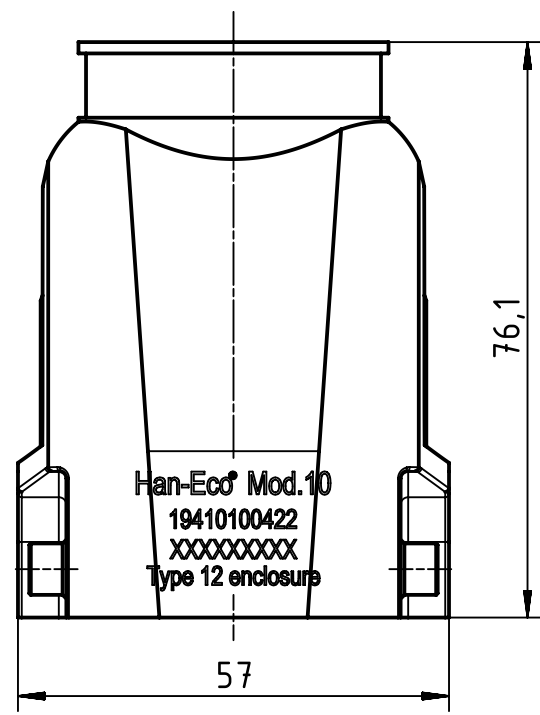
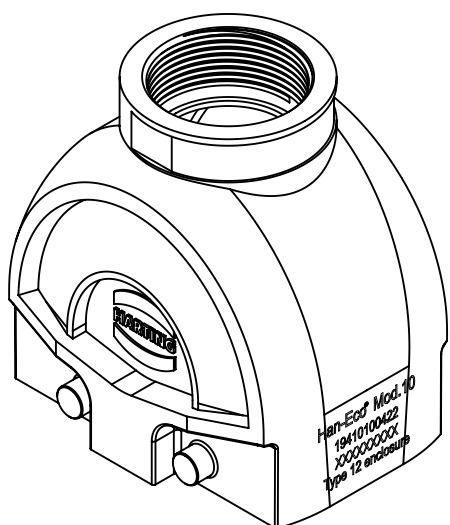
1 2 3 4 5 6

A

B

C

D



	All Dimensions in mm Original Size DIN A4		Scale 1:1	Free size tol.		Ref.
						Sub.
	All rights reserved		Created by HELLMANN	Inspected by BERGHORN	Standardisation SCHMIDTM	Date 2018-09-11
	Department EL PD		Title Han-Eco Mod.6-HTE-M32			State Final Release
HARTING Electric GmbH & Co. KG D-32339 Espelkamp			Type TB	Number 19 41 010 0422		Doc-Key / ECM-Nr. 100186832/UGD/006/A 500000137848
					Rev. A	Page 1/1