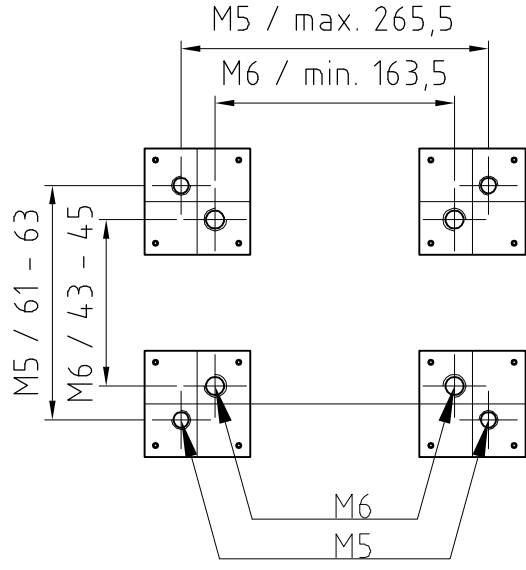
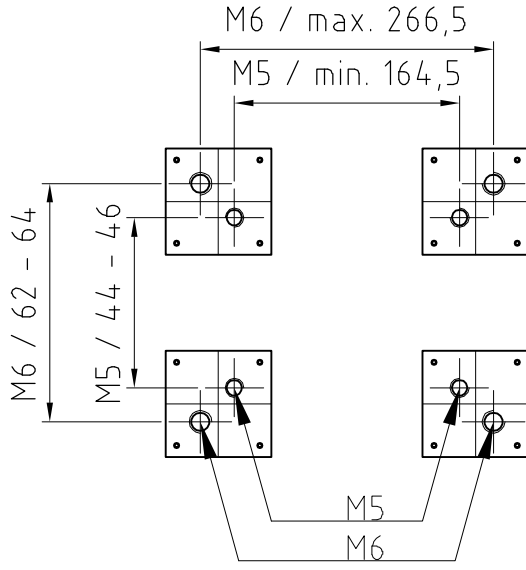




SV
 9345.700
 9345.710
 9345.720
 9345.730
 CE



1 SV CB-Geräteadapter 400A / 630A
 60 mm Schienenmittenabstand

1 SV Circuit-breaker component adaptor 400A / 630A
 60 mm busbar centre distance

1 SV Adaptateurs de disjoncteurs 400A / 630A
 60 mm d'écartement entre les axes des barres

Suitable for use on a circuit capable of delivering not more than 50 kA SCCR symmetrical amperes, 600 volts maximum,
 When protected by a combination motor controller (UL category DIVQ) having an interrupting rating not less than 50 kA symmetrical amperes, 600 volts maximum.

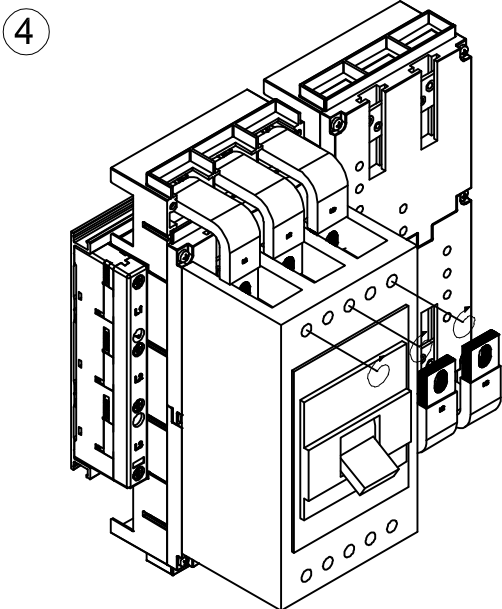
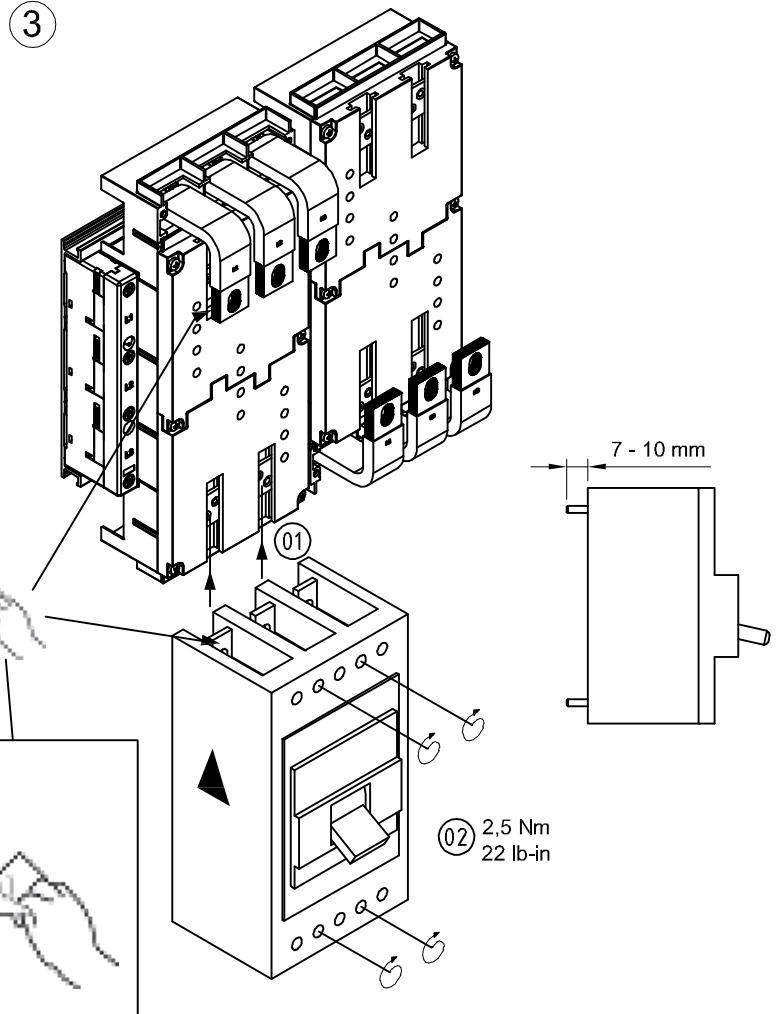
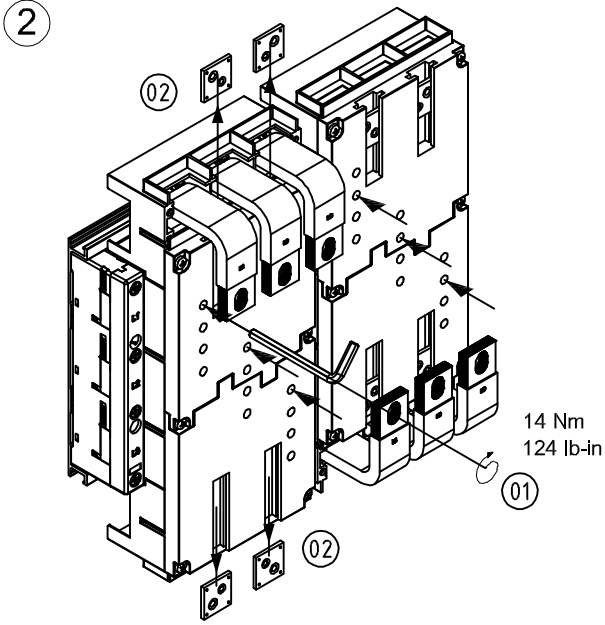
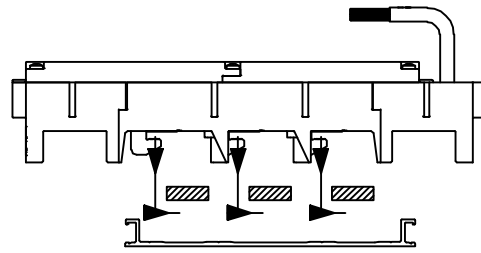
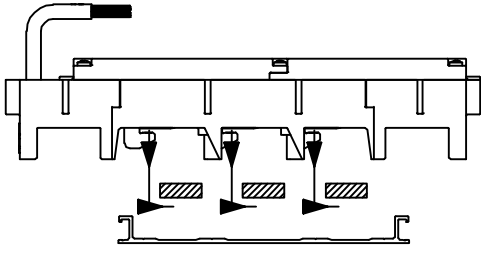
Zchng.-Nr. / No. of dwg.: A4617903SV
 Versandbeutel-Nr. / No. of accessory bag :-

Lieferanten-Nr. / No. of supplier :

For further information: www.rittal.com

① SV9345.710 / .730

SV9345.700 / .720



SV9342.720

