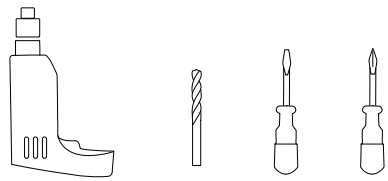
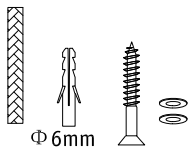





Art.-Nr.:66719
 (+MA 326) PYW 04/16





max.
 3x10W



A   **Safety Instructions**
 Nr. 3,4,5,6 

B

C   **Safety Instructions**
 Nr. 4,5,7

120mm

D

7mm
 14mm

E

F

on