

THORN

Art/Type	Manueller Test/ Manual Test	Manueller Start/ Manual Start
96634863	Monatlich/ Monthly : 1 min	
96629764	Jährlich/ Annually : Nenndauer/ Rated duration	
Art/Type	Automatischer Test/ Automatic Test	Manueller Start/ Manual Start
96634864	Funktionstest/ Function Test : Alle 14 tage/every 14 days	
96629765	Dauerstest/ Duration Test : Jährlich/ Annually	

LED Grün / Green	Status	LED Rot / Red	Status
	Alles ok Everything ok		Lampenfehler Lamp failure
	Test wird durchgeführt Test in progress		Batterie nicht angeschlossen Battery disconnected
			Batteriefehler Battery failure

Art/Type	Automatischer Test/ Automatic Test	Manueller Start/ Manual Start
96634865	Funktionstest/ Function Test : Wöchentlich/ Weekly	
96629766	Dauerstest/ Duration Test : Jährlich/ Annually	

LED Grün / Green	Status	LED Rot / Red	Status
	Alles ok Everything ok		Lampenfehler Lamp failure
	Dauerstest Duration test		Batteriefehler Battery failure
	Funktionstest Function test		Ladefehler Charging failure
	Sperrmodus Inhibit mode		Adressidentifikation Address identification

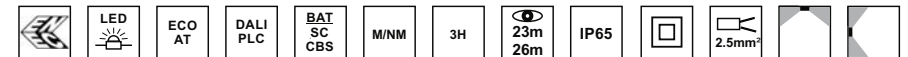


Voyager Solid / Voyager Solid L

96634863 Voyager Solid MS E3-S WH
 96634864 Voyager Solid MS E3T-S WH
 96634865 Voyager Solid MS E3D-S WH

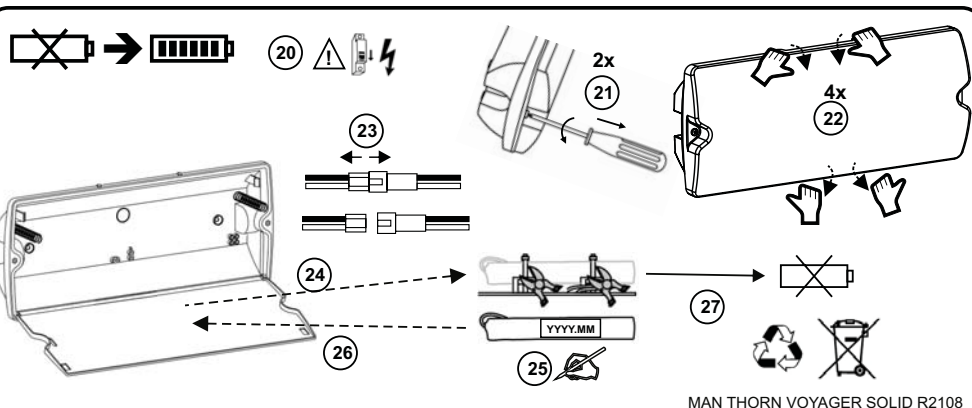
96629764 Voyager Solid L MS E3-S WH
 96629765 Voyager Solid L MS E3T-S WH
 96629766 Voyager Solid L MS E3D-S WH

96634938 Voyager Solid L P MS HP E3D WH
 96634939 Voyager Solid L MS HP ECD WH
 96634940 Voyager Solid L P MS HP ECP WH

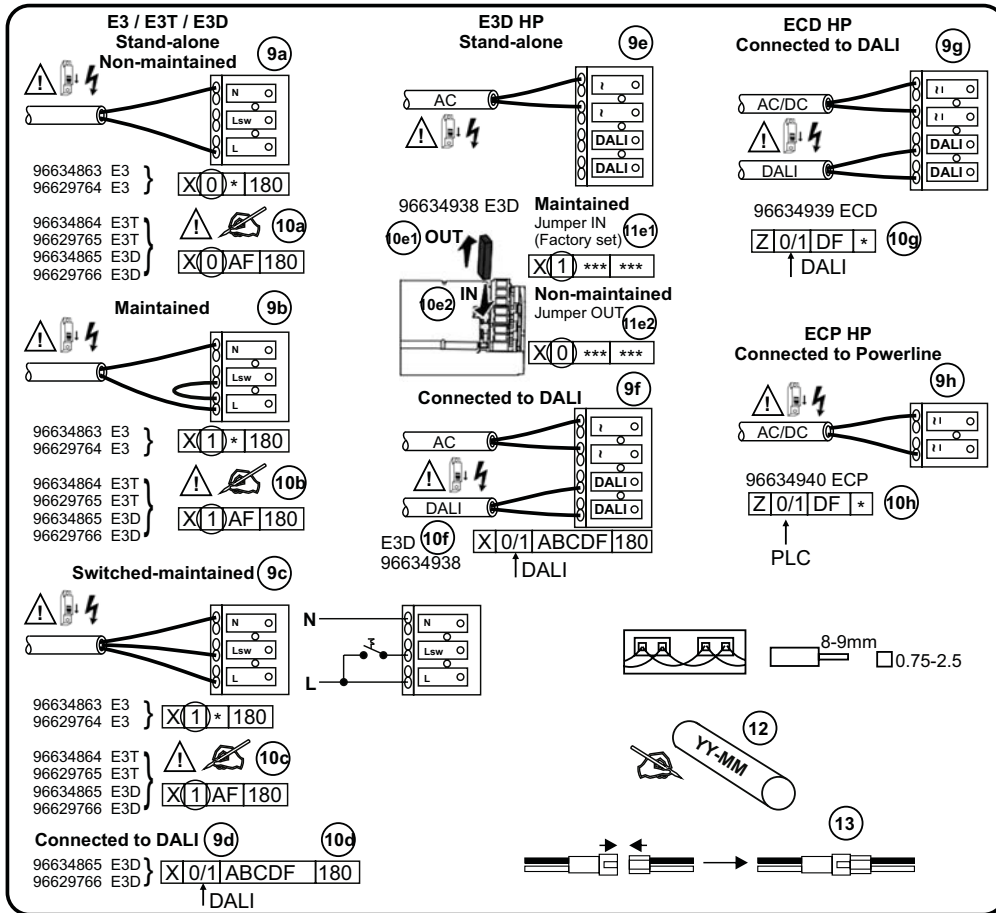
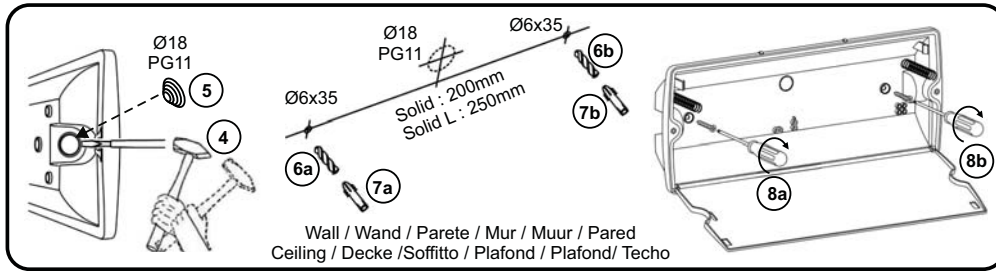
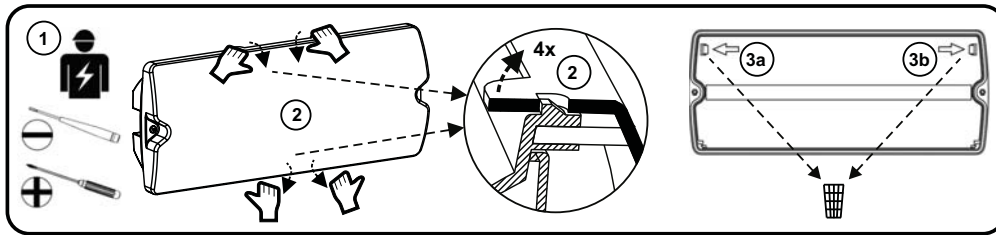


[UK] Installation Instructions
 [DE] Montageanleitung
 [IT] Istruzioni di montaggio
 [FR] Notice de montage
 [NL] Installatie Instructies
 [ESP] Instrucciones de Instalación
 [CZ] Montážní návod
 [LT] Montavimo instrukcijos
 [RU] Инструкция по монтажу

[NO] Monteringsanvisning
 [DK] Monteringsvejledning
 [FI] Asennusohje
 [SE] Installationsanvisning
 [EE] Paigaldusjuhend
 [HU] Szerelési útmutató
 [LV] Instalācijas instrukcija
 [PL] Instrukcja montażu
 [TR] Montaj Talimatı



MAN THORN VOYAGER SOLID R2108



Voyager Solid (14)	Volt, Hz	W	Battery	Light Icon	Eye Icon	t _a
96634863 Voyager Solid E3-S WH	230V~, 50/60Hz	NM : 1.4 M : 3.3	59009286 3.6V-1,5Ah-Ni-Cd	145 Lumen	23 meter	+5/+40°C
96634864 Voyager Solid E3T-S WH	230V~, 50/60Hz	NM : 1.5 M : 3.8	59009286 3.6V-1,5Ah-Ni-Cd	145 Lumen	23 meter	+5/+40°C
96634865 Voyager Solid MS E3D-S WH	230V~, 50/60Hz	NM : 1.3 M : 3.0	59009287 3.6V-2,2Ah-Ni-MH	135 Lumen	23 meter	+5/+40°C
96629764 Voyager Solid L MS E3-S WH	230V~, 50/60Hz	NM : 1.4 M : 3.3	59009286 3.6V-1,5Ah-Ni-Cd	118 Lumen	26 meter	+5/+40°C
96629765 Voyager Solid L MS E3T-S WH	230V~, 50/60Hz	NM : 1.5 M : 3.8	59009286 3.6V-1,5Ah-Ni-Cd	118 Lumen	26 meter	+5/+40°C
96629766 Voyager Solid L MS E3D-S WH	230V~, 50/60Hz	NM : 1.3 M : 3.0	59009287 3.6V-2,2Ah-Ni-MH	110 Lumen	26 meter	+5/+40°C
96634938 Voyager Solid L P MS HP E3D WH	220-240V~, 50/60Hz (198-264V~)	NM < 5.0 M : 11.7	59011596 7.2V-4,0Ah-Ni-MH	800 Lumen	-	0/+35°C
96634939 Voyager Solid L MS HP ECD WH	220-240V~, 50/60Hz (198-264V~)	NM < 0.5 M : 6.7	-	829 Lumen	-	-20/+40°C
96634940 Voyager Solid L P MS HP ECP WH	176-264VDC (ECD) 176-280VDC (ECP)	NM < 0.5 M : 7.3	-	762Lumen	-	-20/+40°C

