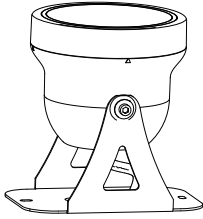
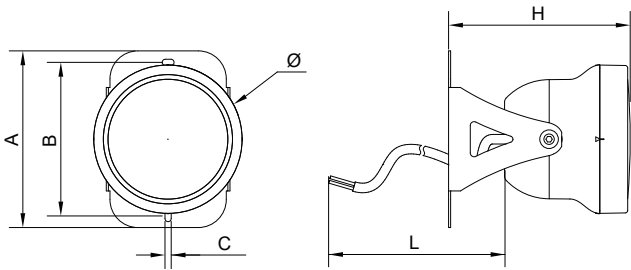


IP65 Bracket Module

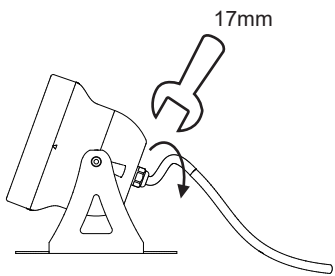
<div style="border: 1px solid black; padding: 5px; width: fit-content; margin: 0 auto;">Item Code</div>	<div style="border: 1px solid black; padding: 5px; width: fit-content; margin: 0 auto;">kg</div>	
560006001000	0.404kg	



Type	A (mm)	B (mm)	C (mm)	Φ (mm)	H (mm)	L (mm)
LED SL Sensor-Module-IP65	130	112.5	4.5	109	133	900

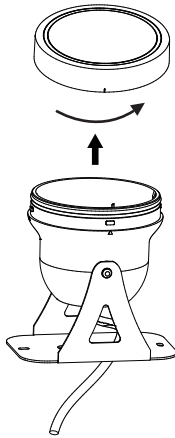
Maximum mounting height: 12m

①

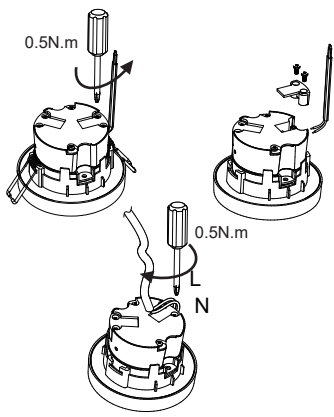


17mm

②



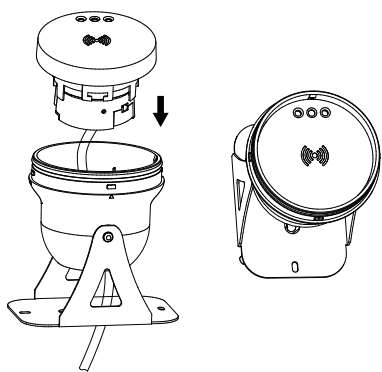
③ LED SL-RC-MW Sensor (Purchase separately)



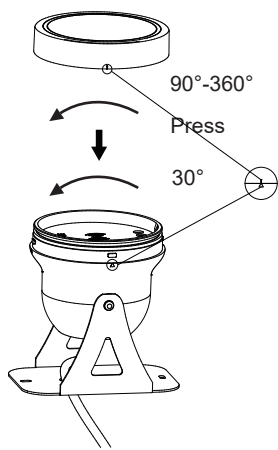
0.5N.m

0.5N.m

④



⑤

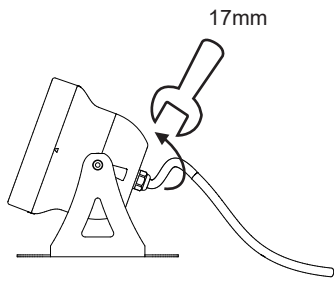


90°-360°

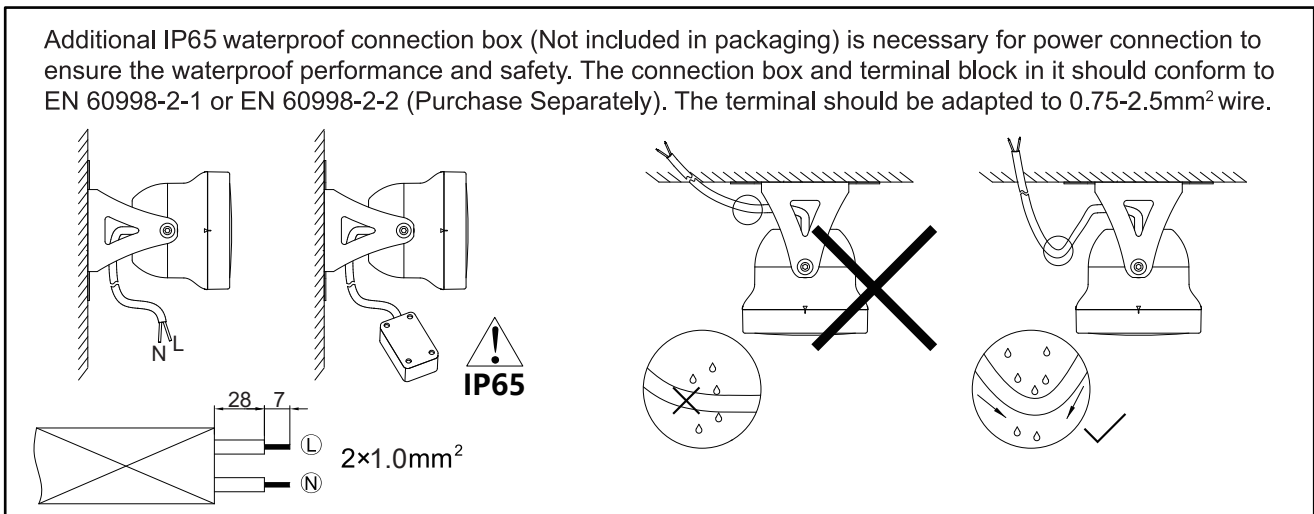
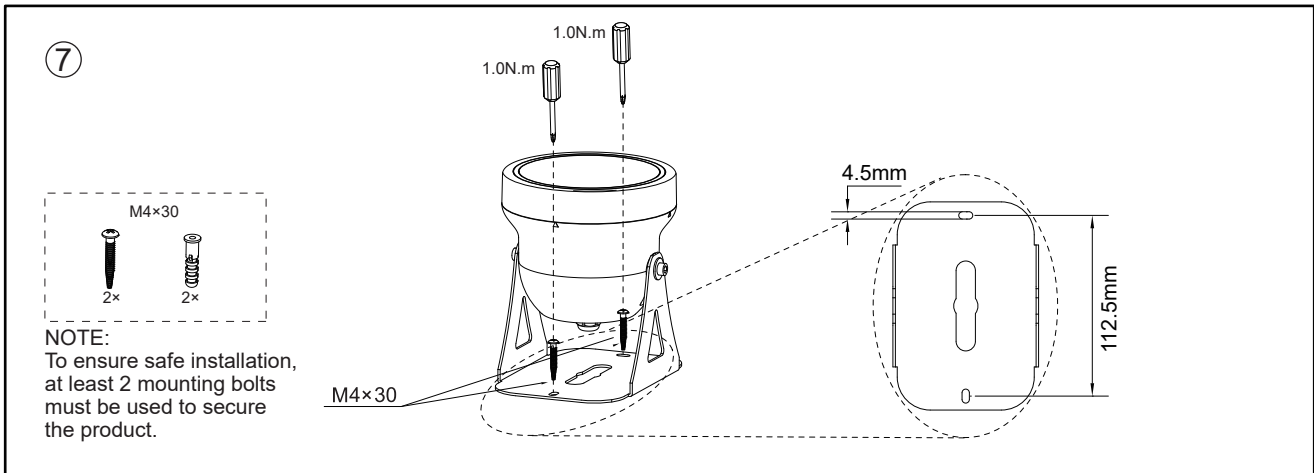
Press

30°

⑥



17mm



In case of damage to the wires, it has to be replaced only by the manufacturer, distributor or an expert to avoid risks.

Zur Vermeidung von Risiken müssen defekte Leitungen ausschließlich vom Hersteller, Inverkehrbringer oder Fachmann ausgetauscht werden.

