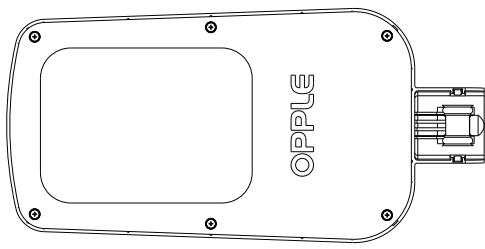
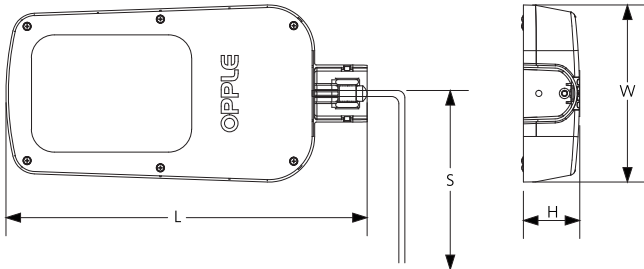


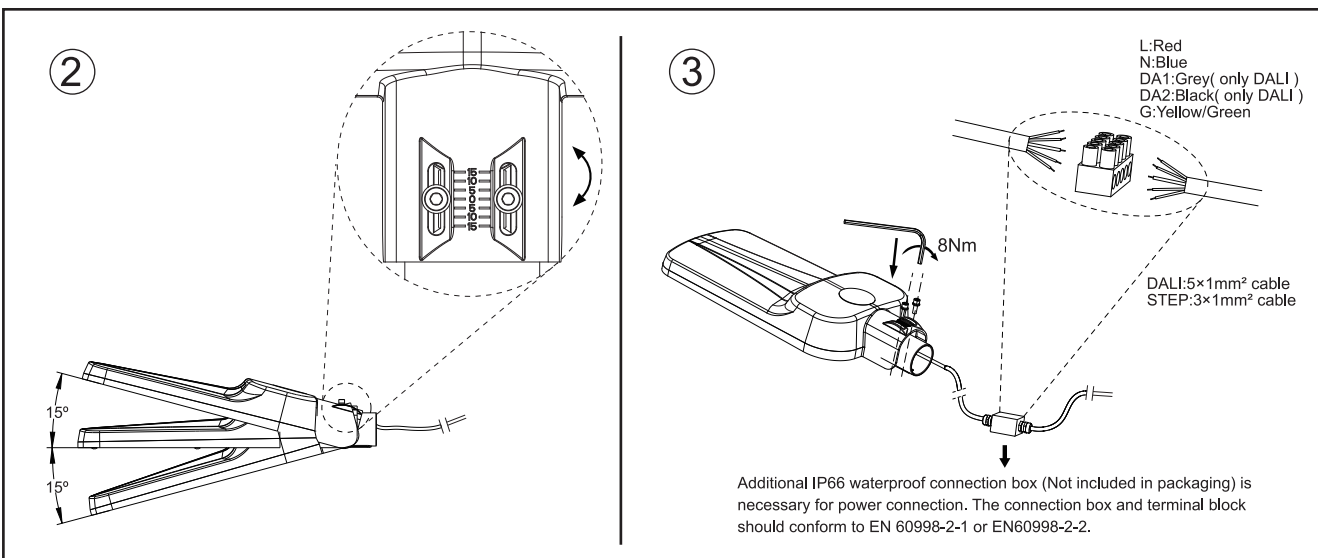
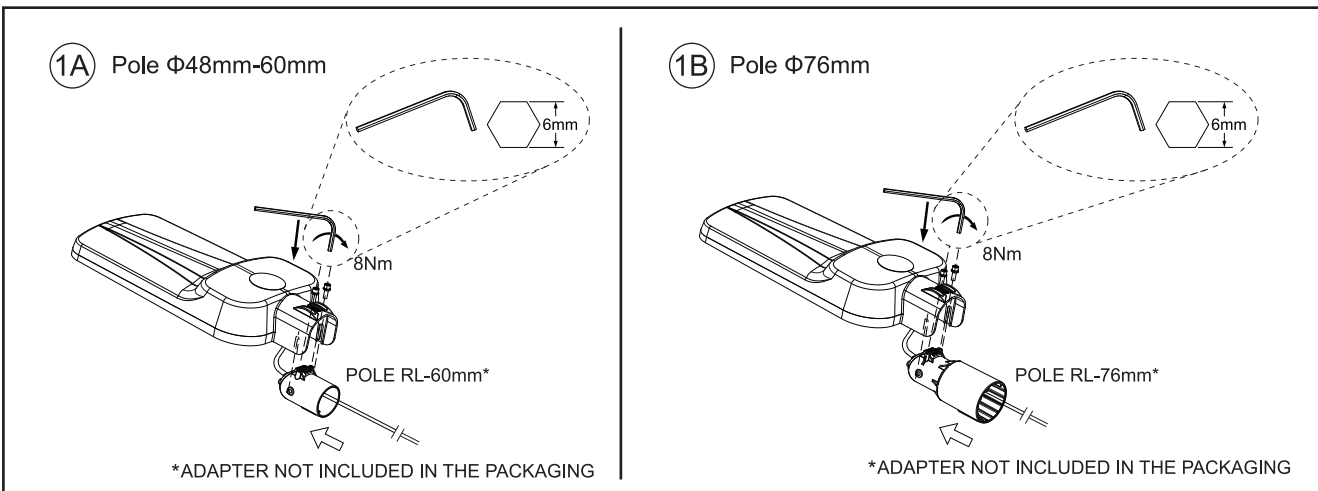
## LED Roadlight

Item Code	CCT	kg
LED RL-90W DALI	4000K	9.0kg
LED RL-90W STEP	4000K	9.0kg
LED RL-120W DALI	4000K	9.2kg
LED RL-120W STEP	4000K	9.2kg
LED RL-150W DALI	4000K	9.2kg
LED RL-150W STEP	4000K	9.2kg
LED RL-200W DALI	4000K	9.4kg
LED RL-200W STEP	4000K	9.4kg

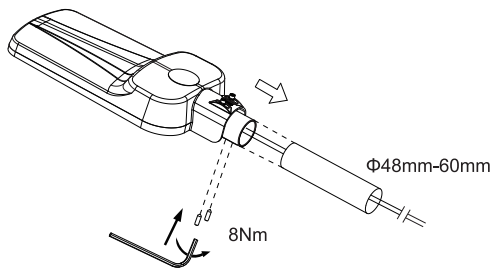



Model	L (mm)	W (mm)	H (mm)	S (mm)
LED RL-90W DALI	631	310	98	10000
LED RL-90W STEP	631	310	98	10000
LED RL-120W DALI	631	310	98	10000
LED RL-120W STEP	631	310	98	10000
LED RL-150W DALI	631	310	98	10000
LED RL-150W STEP	631	310	98	10000
LED RL-200W DALI	631	310	98	10000
LED RL-200W STEP	631	310	98	10000

Effective Wind Area: 16000mm<sup>2</sup>  
Recommended installation height: 8-15m

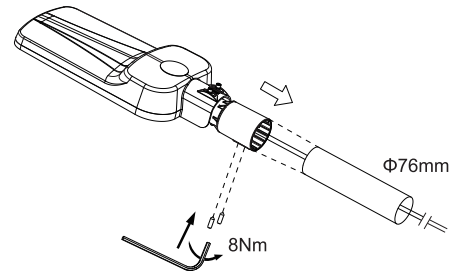


4A Horizontal Pole  $\Phi 48\text{mm}-60\text{mm}$



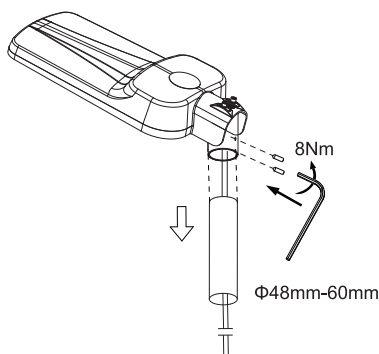
POLE RL-60mm ADAPTER NOT INCLUDED IN THE PACKAGING

4B Horizontal Pole  $\Phi 76\text{mm}$



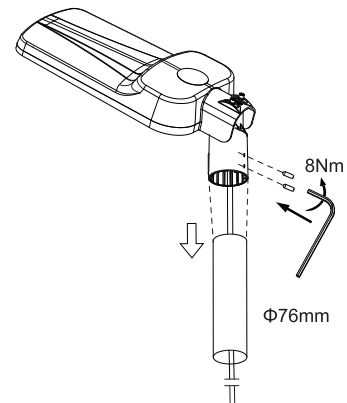
POLE RL-76mm ADAPTER NOT INCLUDED IN THE PACKAGING

4C Vertical Pole  $\Phi 48\text{mm}-60\text{mm}$



POLE RL-60mm ADAPTER NOT INCLUDED IN THE PACKAGING

4D Vertical Pole  $\Phi 76\text{mm}$



POLE RL-76mm ADAPTER NOT INCLUDED IN THE PACKAGING

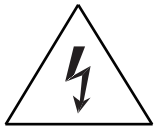


In case of damage to the wire, it has to be replaced only by the manufacturer, distributor or by an expert, to avoid risks.

Caution: Any operation on LED module is forbidden while power-on.

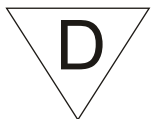
Zur Vermeidung von Risiken müssen defekte Leitungen ausschließlich vom Hersteller, Inverkehrbringer oder Fachmann ausgetauscht werden.

Achtung: In Betrieb ist keine Arbeit am LED-Modul erlaubt.

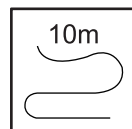
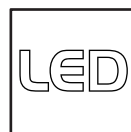
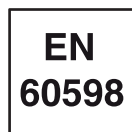


For non-user replaceable light sources.

The light source contained in this luminaire shall only be replaced by the manufacturer or his service agent or a similar qualified person.



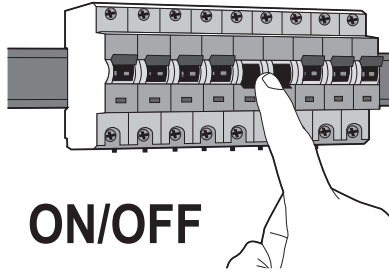
For use in environments where normal non-conductive/conductive dust accumulation may be expected, not for use in environments with expected high/unusual dust accumulation.



## Roadlight step dimming operation

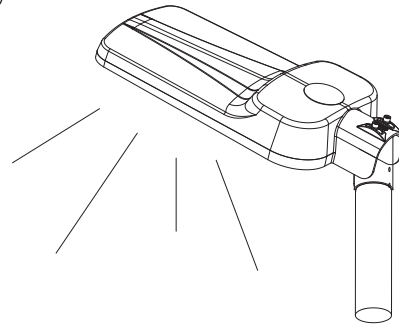
### First and second day of use

①



Turn on/off the luminaire following the required operation hours.

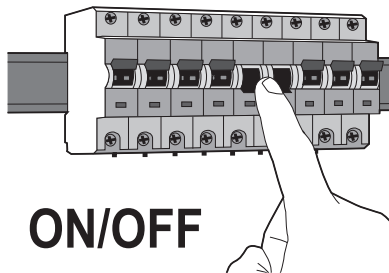
②



The luminaire will start to dim down after 7 hours of operation, following the dimming graph.

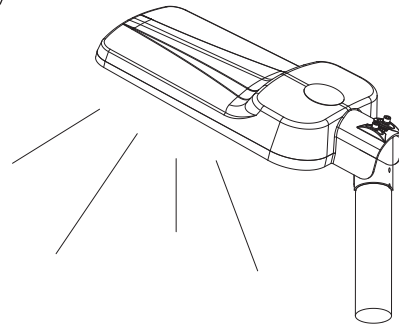
### Day 3 and afterwards

①



Turn on/off the luminaire following the required operation hours.

②



The luminaire will start to dim at the middle of the total real operation hours. It will calculate it based on the last two days of operation, following the dimming graph.

### Dimming graph

