

# Signalling Devices

## Audible signalling device Sounder

In flameproof enclosure Increased safety

8491/11-230 Art. No. 145280



- Horn: Directional/max. 105 dB(A)
- Type of protection: Ex e
- Class: IP55/65 (IEC 60529)
- Robust PC/ABS enclosure
- Stainless steel mountings and console sealing element included
- Signal horn series 8491/1: With trumpet and connection line
- Signal horn series 8491/2: Compact design with Ex e connection chamber

WebCode 8491A



**Product series 8491** are audio signalling devices that provide alerts, warnings or signals in hazardous areas, made from a robust PC/ABS blend. Mounting takes place using angle mounting.

**The versions of the 8491/1 series** have been developed for use in gas hazardous areas. They feature a trumpet for optimum sound bundling and a connection line.

**The compact signal horns in the 8491/2 series** have a connection chamber and can be used both indoors and outdoors in gas and dust hazardous areas.

## Technical Data

### Explosion Protection

Scope of validity	European Union (ATEX) IECEX
Application range (zones)	1 2
ATEX gas certificate	BVS 03 ATEX E 159 X
ATEX gas explosion protection	Ⓔ II 2 G Ex mb IIC T5 Gb
EAC certificate	EAEU RU C-DE.HA91.B.00051/19
EAC gas explosion protection	Ⓔ 1 Ex mb IIC T5 Gb X
Certificates	ATEX (BVS), EAC (ENDCE)

### Electrical Data

Rated operational voltage AC	230 V
Back-up fuse	8560/51-4073
Frequency range	50 Hz

### Acoustic Data

Sound pressure level	max. 105 dB(A) @ 1 m
----------------------	----------------------

### Ambient Conditions

Ambient temperature	-40 °C ... +50 °C
---------------------	-------------------

### Mechanical Data

Degree of protection IP (IEC 60529)	IP55
Enclosure material	PC/ABS
Trumpet material	PC/ABS
Conductor length	3 m
Width	152 mm
Height	356 mm
Length	148 mm

# Signalling Devices



Audible signalling device Sounder  
In flameproof enclosure Increased safety  
8491/11-230 Art. No. 145280

## Mechanical Data

Enclosure colour	Black
Weight	1.45 kg
Weight	3.2 lb

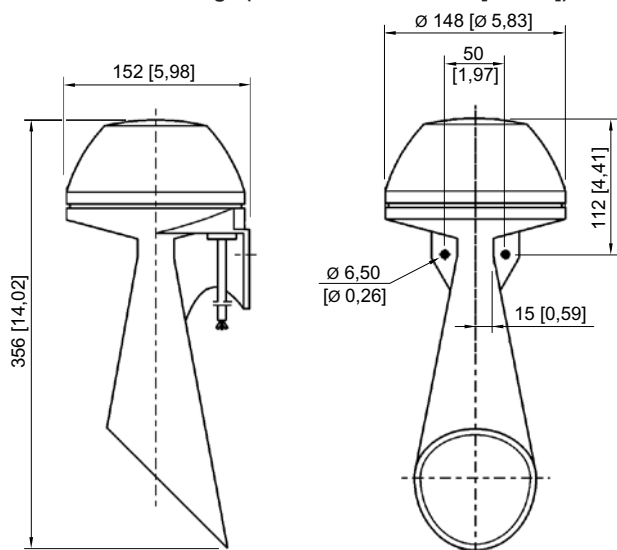
## Mounting / Installation

Connection type	LAPPTHERM 145, 2 x 0.75 mm <sup>2</sup>
-----------------	---

## Components

Safety nominal value	125 mA
----------------------	--------

## Dimensional Drawings (All Dimensions in mm [inches]) – Subject to Alterations



Signal horn with trumpet

We reserve the right to make alterations to the technical data, dimensions, weights, designs and products available without notice. The illustrations cannot be considered binding.