

7570/11-304 Art. No. 126402



- For use in Zones 2 and 22, IP66 in any application position
- Optional Ex e or Ex i auxiliary contacts for control and signaling purposes
- With AC-3 motor switching capacity according to IEC/EN 60947-3

WebCode **7570A**



R. STAHL Series 7570/11 SolConeX sockets are 16 A sockets for Zones 2 and 22. Self-cleaning lamellar contacts provide optimum contact and the floating pins allow the plugs to be inserted and removed in the zero position with minimum effort. The load disconnect switch, with a handle that can be locked in the 0 or I position, is an additional safety feature.

### Technical Data

#### Explosion Protection

Application range (zones)	2 22
Certificates	ATEX (PTB)

#### Electrical Data

Electrical service life	> 5x10 <sup>3</sup> switching cycles
Mechanical service life	> 5x10 <sup>3</sup> switching cycles
Type of voltage	Low voltage
Frequency range	50 / 60 Hz

#### Device Specific Data

Back-up fuse with thermal protection	35 A gG
Back-up fuse w/o thermal protection	16 A gG

#### Ambient Conditions

Ambient temperature	-30 °C ... +55 °C (T80 °C) (T80 °C)
---------------------	-------------------------------------

#### Mechanical Data

Enclosure material	Polyamide, Glass fibre reinforced
Silicone-free	Yes
Solid connection terminals	1 x 1.5 mm <sup>2</sup> ... 2 x 6 mm <sup>2</sup>
Finely stranded connection terminals	1 x 1.5 mm <sup>2</sup> ... 2 x 4 mm <sup>2</sup>
Connection terminals USA min.	16 AWG
Max. USA connection terminals	10 AWG
Type of connection cable	Finely stranded Solid
Width	105 mm
Height	168 mm
Length	232 mm
Impact strength (IEC 60079)	7 J
Impact strength (IEC 62262)	IK10

7570/11-304 Art. No. 126402

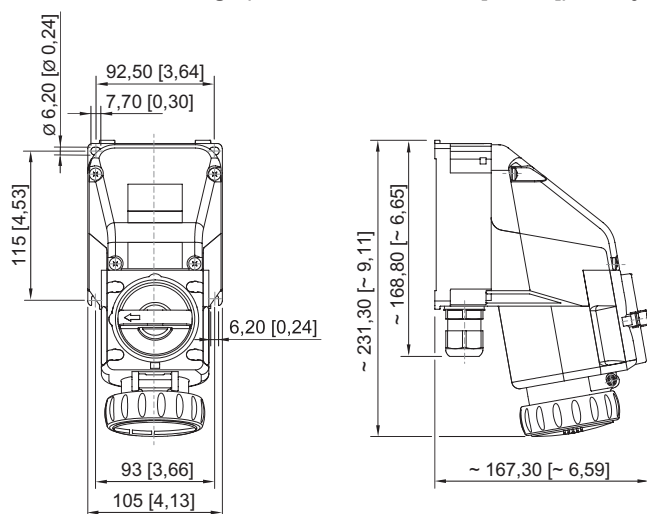
### Mechanical Data

Colour code	Yellow
Coding (clock hour position)	4
Lockable in	in 0- and I-position
Series	SolConeX
Detailed number of poles	1 P + N + PE
Weight	1.12 kg
Weight	2.47 lb

### Components

Entry 1 type	8161/7-M25-1707
Entry 1 type	Polyamide cable gland
Entry 1	M25 x 1.5
Entry 1 clamping range	7 ... 17 mm
Metal entry possible 1	No
Entry 2 type	8290/3-M25
Entry 2 type	Polyamide stopping plug
Entry 2	M25 x 1,5
Metal entry possible 2	No

### Dimensional Drawings (All Dimensions in mm [inches]) – Subject to Alterations



Wall-mounting socket 3-pole

We reserve the right to make alterations to the technical data, dimensions, weights, designs and products available without notice. The illustrations cannot be considered binding.