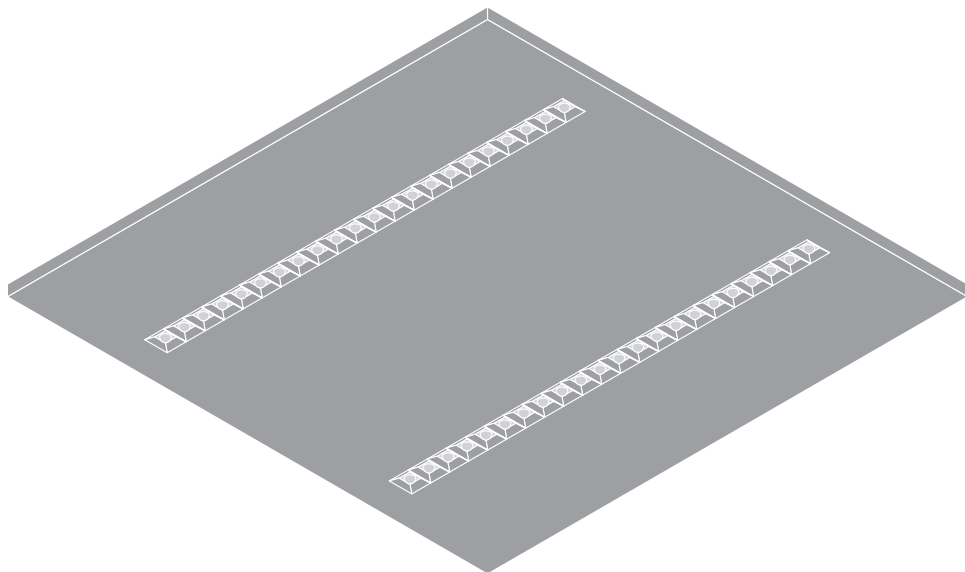
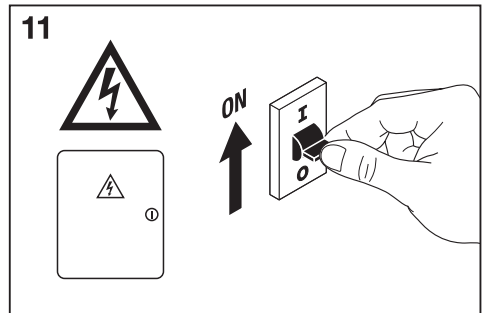
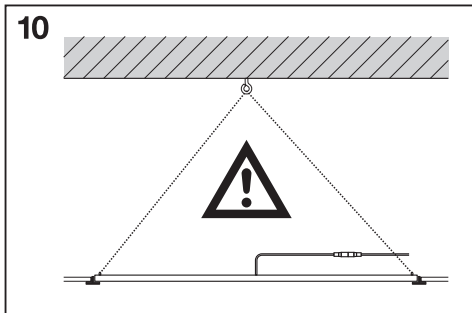
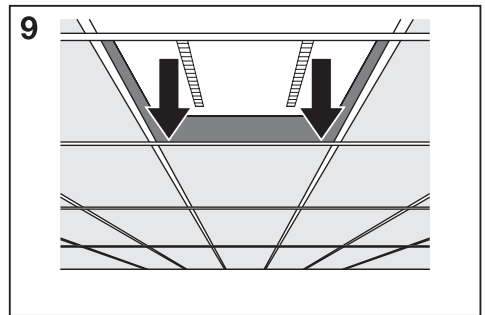
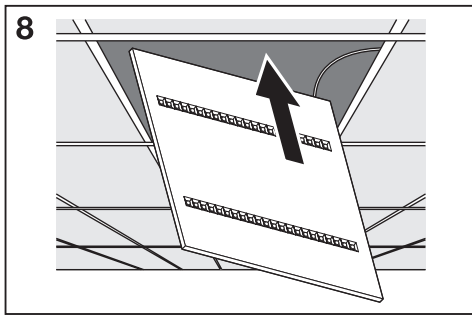
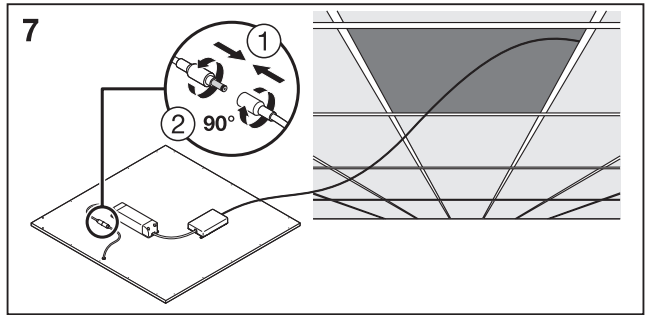
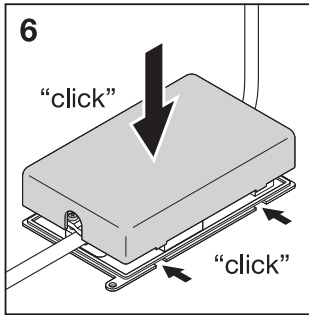
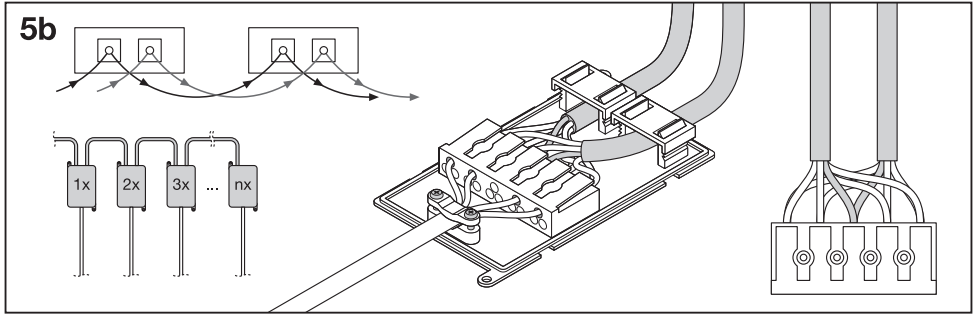

PANEL IndiviLED® DALI 600/625

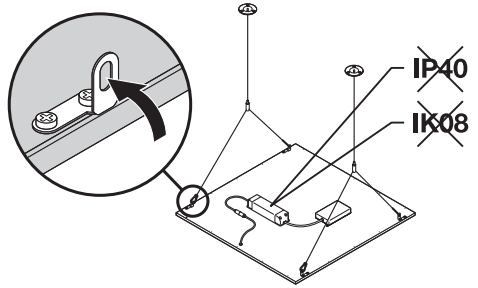
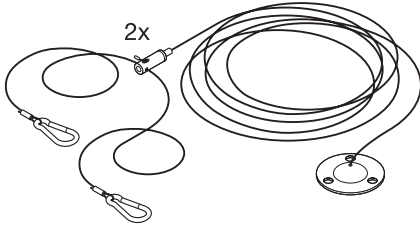


	EAN	l x w x h [mm]	W	V _{AC}	Hz	Im	W (230 V DC)	Im (230 V DC)	Im/W
PL INDV 600 33W/3000K DALI	4058075503885	595 x 595 x 13	33	220-240V	50/60Hz	3800	6	570	115
PL INDV 600 33W/4000K DALI	4058075503861	595 x 595 x 13	33	220-240V	50/60Hz	4000	6	570	120
PL INDV 625 33W/4000K DALI	4058075503922	620 x 620 x 13	33	220-240V	50/60Hz	4000	6	570	120

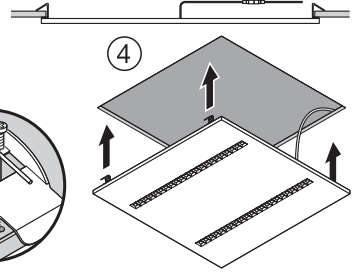
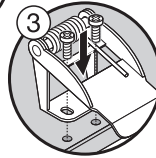
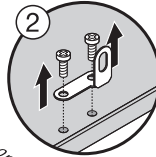
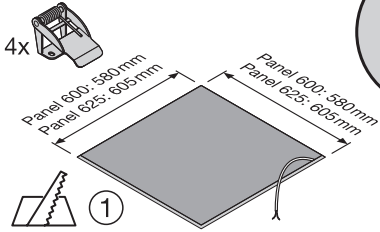
	EAN	K	IP	IK	∠	R _a	mAAC	mADC	°(°C)	PF	👤
PL INDV 600 33W/3000K DALI	4058075503885	3000	40	08	70°	≥80	850	140	-20...+45	>0.9	3.5 kg
PL INDV 600 33W/4000K DALI	4058075503861	4000	40	08	70°	≥80	850	140	-20...+45	>0.9	3.5 kg
PL INDV 625 33W/4000K DALI	4058075503922	4000	40	08	70°	≥80	850	140	-20...+45	>0.9	3.6 kg



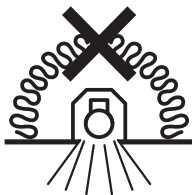
SUSPENSION KIT
EAN 4058075402928



RECESSED MOUNT CLIPS VALUE
EAN 4058075409859



	C10A	B16A	C16A	DALI	I_{OUT} [mA]	DIM
	 n=21	 n=20	 n=33	OSRAM OTI DALI 50/220...240/1A4 NFC	850	



RoHS



C10449057
 G11100927
 30.06.20



LEDVANCE GmbH
 Steinerne Furt 62
 86167 Augsburg, Germany
www.ledvance.com