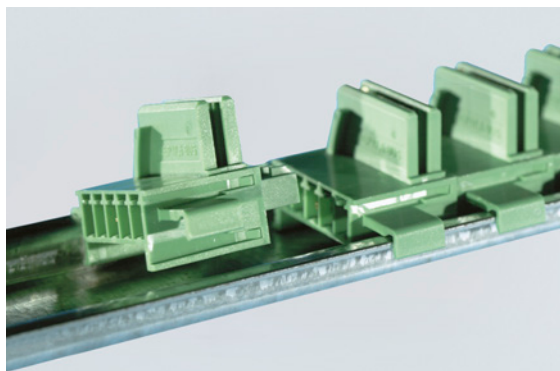


Isolator Barriers

pac-Bus single element

ISpac

9194/31-17 Art. No. 160731



- ISpac devices are quick to wire, reducing costs
- Can be installed on standard DIN rails without tools by simply snapping into place – can be expanded at any time
- Suitable for industrial environments subject to vibration

WebCode 9194A



The pac-Bus 9194/31-17 supplies 30 to 50 ISpac devices of series 91xx. The auxiliary power can be fed into the pac-Bus segment via the connection terminals 9194/50-01. The terminal set also enables reading out the collective error message of ISpac 91xx modules.

The supply module 9193/21-11-11 can alternatively be used for a redundant supply and for reading out the collective error message.

The pac-Bus can be clipped onto DIN rails NS35/15 and NS35/7.5. The pac-Bus 9194/31-17 can be combined with pac-Bus 9294/31-12.

Technical Data

Explosion Protection

Application range (Zones)	2
IECEX certificate Gas	IECEX BVS 10.0042 X
IECEX gas explosion protection	Ex ec IIC T4 Gc
ATEX gas certificate	BVS 03 ATEX E 213 X
ATEX gas explosion protection	Ex II 3 G Ex ec IIC T4 Gc
Certificate FMus	FM16US0122X
Certificate cFM	FM16CA0067X
Marking cFMus	Class I, Div. 2, Groups A,B,C,D; Class I, Zone 2, Group IIC T4 at Ta = 70°C See Doc. 91 956 01 31 1
EAC certificate	TS RU S-DE.GB04.B.00353
EAC gas explosion protection	Ex nA IIC T4 Gc X
Certificates	ATEX (BVS), Brazil (ULB), Canada (FM), EAC (ENDCE), IECEX (BVS), India (PESO), USA (FM)
Ship approval	CCS, EU RO MR

Electrical Data

Signal types	Supply/accessories
Connections	using pac-Bus terminal set 9194/50-01 or supply module 9193/21-11-11.

Isolator Barriers

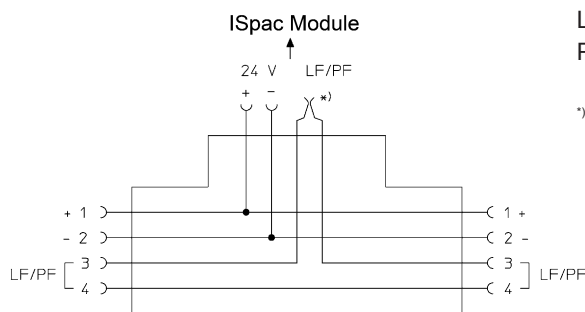
pac-Bus single element

ISpac

9194/31-17 Art. No. 160731



Connection diagram



LF = Line fault

PF = Auxiliary power failure

*) Self-closing contact

Auxiliary Power

Nominal voltage V_{nom} 24 V DC

Nominal current 4 A

Ambient Conditions

Ambient temperature °C -20 °C ... +70 °C

Ambient temperature °F -4°F ... +158°F

Storage temperature °C -40 °C ... +80 °C

Storage temperature °F -40°F ... +176°F

Max. relative humidity 95%

Use at the height of < 2000 m

Mechanical Data

Terminal degree of protection (IP) IP20

Fire resistance (UL 94) V0

Enclosure material PA 6.6

Grid dimension 17.6 mm

Width inches 0.69 in

Length inches 1.45 in

Mounting depth inches 0.82 in

Weight 0.004 kg

Weight 0.01 lb

Mounting / Installation

Mounting type NS35/15, NS35/7.5 DIN rail

Mounting position Horizontal
Vertical

Isolator Barriers

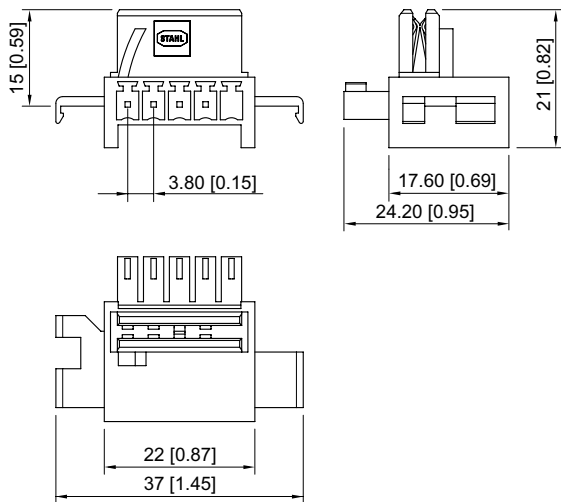
pac-Bus single element

ISpac

9194/31-17 Art. No. 160731



Dimensional Drawings (All Dimensions in mm [inches]) – Subject to Alterations



Series 9194

Accessories

Supply modul



Redundant supply of 24 V DC auxiliary power (with fuse) and reading the collective error message for 92xx series ISpac modules which support this function.
Connection spring clamp terminal

Art. No.

268184

We reserve the right to make alterations to the technical data, dimensions, weights, designs and products available without notice. The illustrations cannot be considered binding.