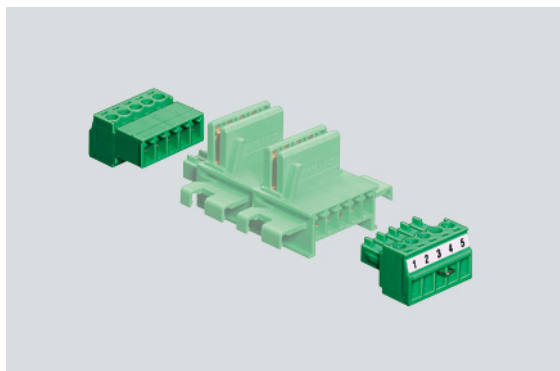


# Isolator Barriers

pac-Bus terminal set

ISpac

9194/50-01 Art. No. 160730



- ISpac devices are quick to wire, reducing costs
- Can be installed on standard DIN rails without tools by simply snapping into place – can be expanded at any time
- Suitable for industrial environments subject to vibration

WebCode 9194A



The pac-Bus terminal set allows a direct supply of 24 V DC into a pac-Bus segment consisting of 9194/31-17 and/or 9294/31-12 elements. The set is also necessary for reading out the collective error message of ISpac modules 91xx.

## Technical Data

### Explosion Protection

Application range (Zones)	2
IECEX certificate Gas	IECEX BVS 10.0042 X
IECEX gas explosion protection	Ex ec IIC T4 Gc
ATEX gas certificate	BVS 03 ATEX E 213 X
ATEX gas explosion protection	Ex II 3 G Ex ec IIC T4 Gc
Certificates	ATEX (BVS), IECEX (BVS)

### Electrical Data

Signal types	Supply/accessories
Connections	5-pole screw terminals, max. 1.5 mm <sup>2</sup>

### Auxiliary Power

Nominal voltage $V_{nom}$	24 V DC
Nominal current	4 A

### Ambient Conditions

Ambient temperature °C	-20 °C ... +70 °C
Ambient temperature °F	-4 °F ... +158 °F
Storage temperature °C	-40 °C ... +80 °C
Storage temperature °F	-40 °F ... +176 °F
Max. relative humidity	95%
Use at the height of	< 2000 m

### Mechanical Data

Terminal degree of protection (IP)	IP20
Fire resistance (UL 94)	V0
Connection cross-section	0.2-2.5 mm <sup>2</sup> flexible 0.2-2.5 mm <sup>2</sup> rigid 0.25-2.5 mm <sup>2</sup> flexible core end sleeve
Enclosure material	PA 6.6
Clamping range AWG	28 – 16
Connection cross-section AWG	28 ... 16

# Isolator Barriers

## pac-Bus terminal set

### ISpac

9194/50-01 Art. No. 160730



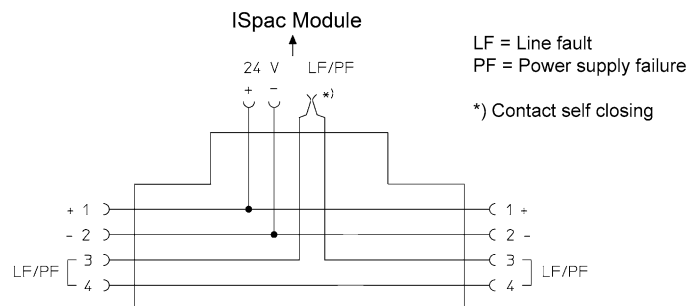
#### Mechanical Data

Weight	0.008 kg
Weight	0.02 lb

#### Mounting / Installation

Mounting type	NS35/15, NS35/7.5 DIN rail
Mounting position	Horizontal Vertical
Connection type	Screw terminal

#### Technical Drawings – Subject to Alterations



Connection Diagram 9194/50-01

We reserve the right to make alterations to the technical data, dimensions, weights, designs and products available without notice. The illustrations cannot be considered binding.