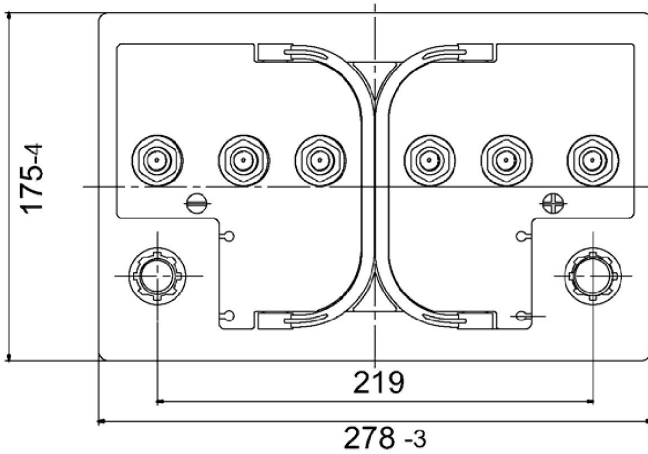
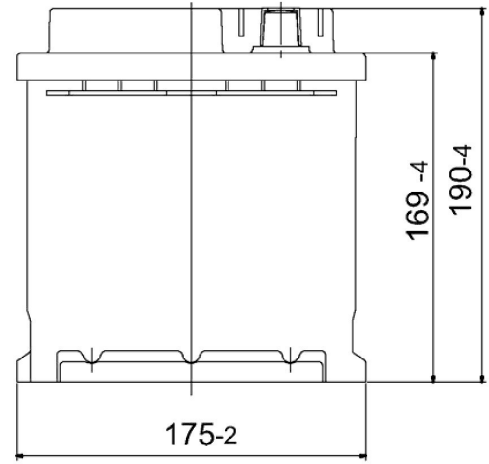
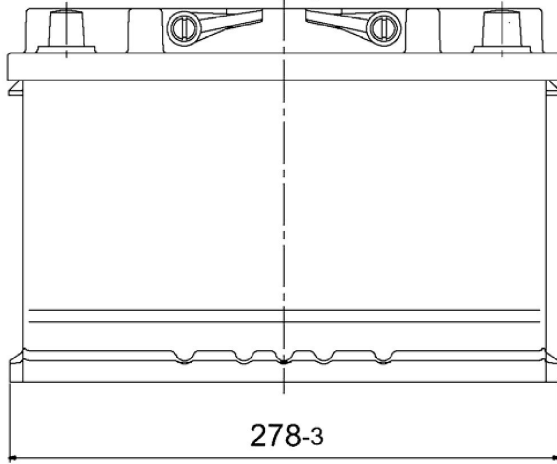


Central Article Code: L03046G45-A

ETN Code or Other: ES 650

Created: 08/09/2005

Modified: 26/05/2011



Final Outlook	L0345-A
Approval date	01/10/2005

PERFORMANCES		CONTAINER	
Voltage (V):	12 V	Type:	L03 GREY MEDIUM
C20 (Ah):	56.0 20 h	Hold Down:	B13
Rc (min):	0	H. D. Adapter:	No
Cranking (A):	460 EN	COVER	
Vibration:	V3 (35Hz/6g/20h)	Type:	DIN GREY MEDIUM
Endurance:	250 cycles@100%	Polarity:	ETN 0
Charge:	CHARGED	Terminals:	EN taper post
Technology:	GEL	Terminal Adapter:	No
Grid :	Ca/Ca	SOCI:	No
WEIGHT AND STD. DIMENSIONS		Ventilation:	Independent
Battery Weight (kg):	20.80	Filter:	No
Volume acid (l):	0.00	Lateral Plug:	No
Length (mm):	278	PLUGS	
Width (mm):	175	Type:	6 x Valve+Cover GREY MEDIUM
Height (mm):	190	HANDLES	
		Type:	2 x Integrated GREY MEDIUM
		OTHERS	
		Degassing Tube:	No

All figures show nominal values. Tolerances are according to EN50342 and applicable European Regulations