

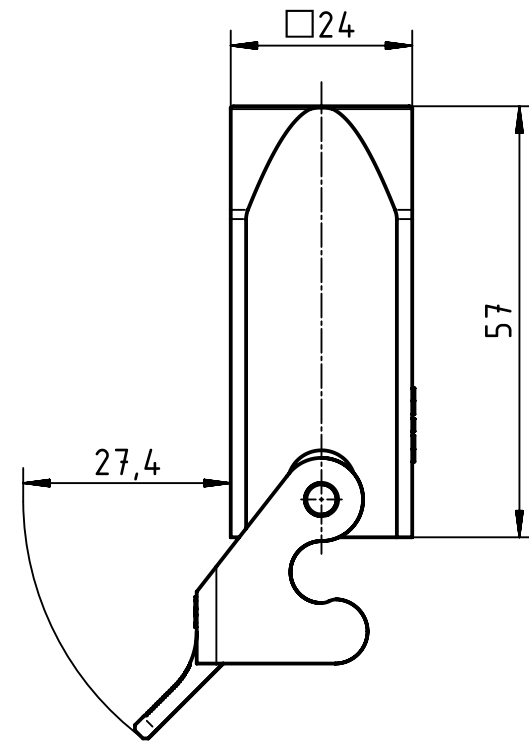
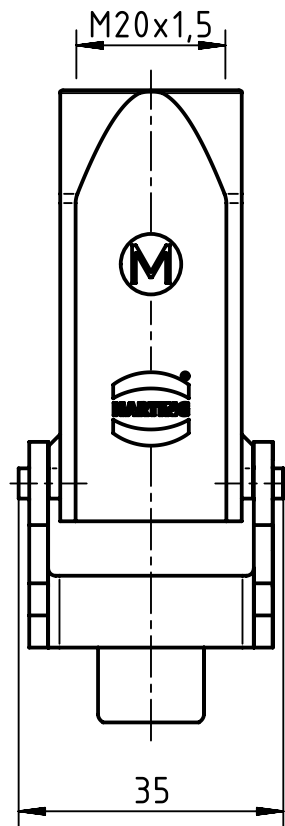
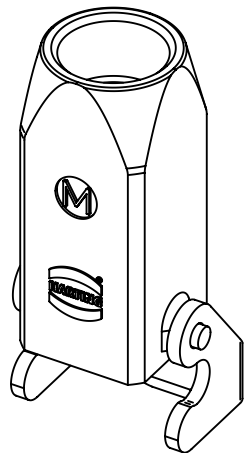
1 2 3 4 5 6

A

B

C

D



	All Dimensions in mm Original Size DIN A4		Scale 1:1	Free size tol.		Ref.		
						Sub.		
	All rights reserved		Created by SERBANA	Inspected by PRIESTER	Standardisation TIEMANNA	Date 2018-02-05	State Final Release	
	Department EL PD - DE		Title Han A Hood Coupler Thermoplastic M20				Doc-Key / ECM-Nr. 100197910/UGD/004/A 500000129280	
HARTING Electric GmbH & Co. KG D-32339 Espelkamp			Type TB	Number 19 20 003 0720			Rev. A	Page 1/1