

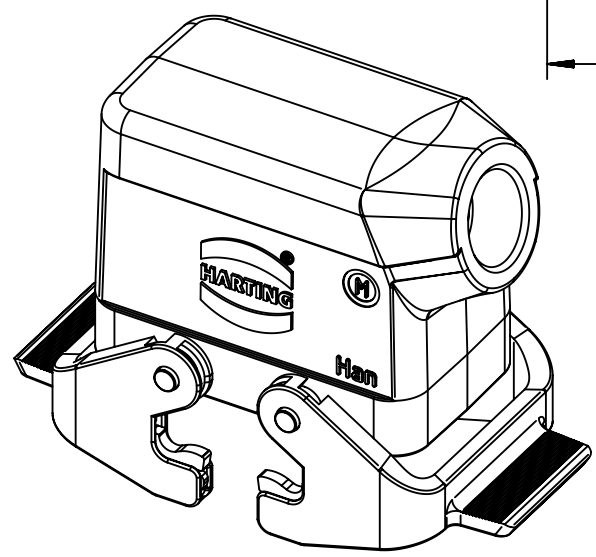
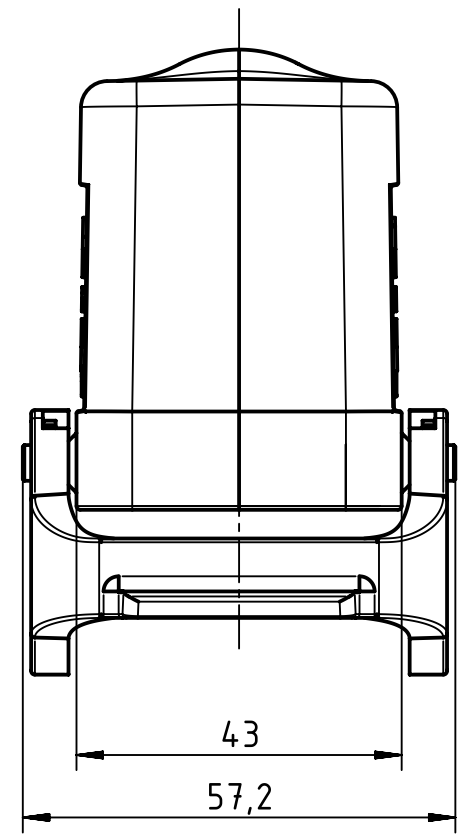
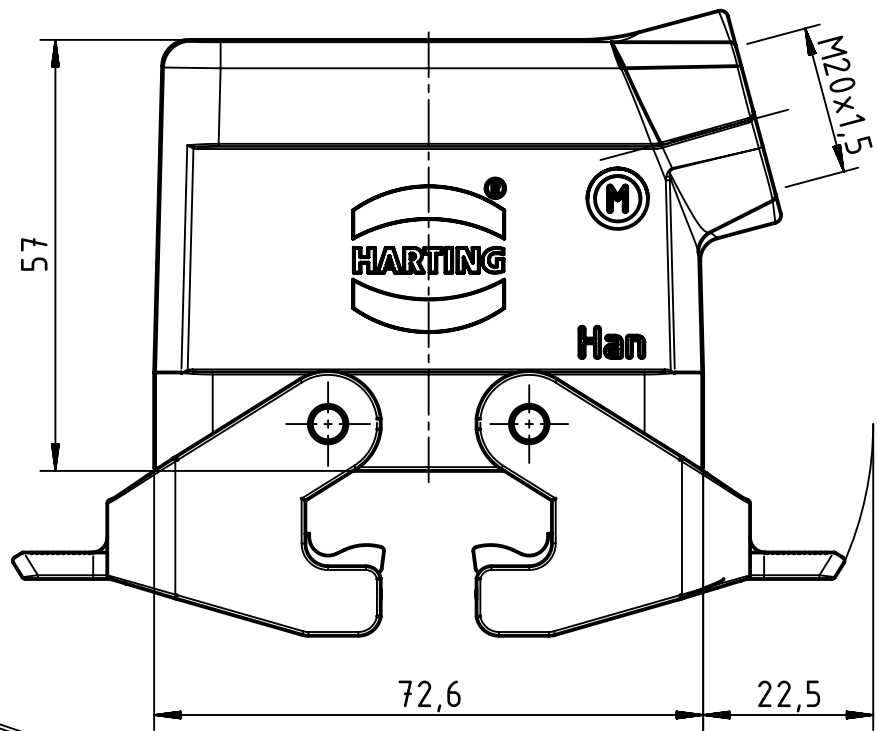
1 2 3 4 5 6


A

B

C

D



	All rights reserved Department EL PD - DE	All Dimensions in mm Original Size DIN A4		Scale 1:1	Free size tol.	Ref. Sub.	
		Created by SPRENB	Inspected by BERGHORN	Standardisation TIEMANNA	Date 2015-10-15	State Final Release	
HARTING Electric GmbH & Co. KG D-32339 Espelkamp		Title Han B Hood Side Entry LC 2 Levers M20				Doc-Key / ECM-Nr. 100200956/UGD/004/B 500000095422	
		Type TB	Number 19 30 010 1530			Rev. B	Page 1/1