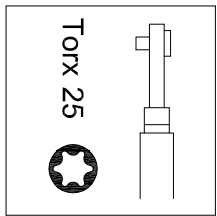
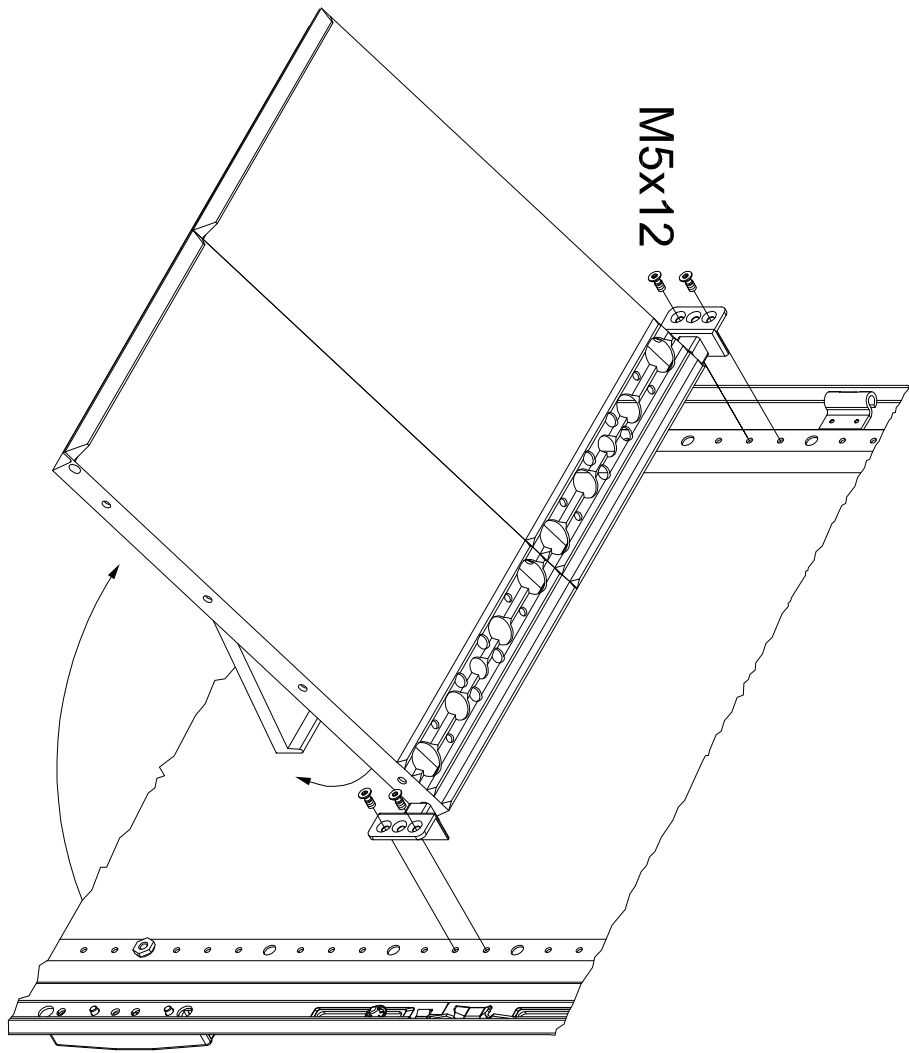


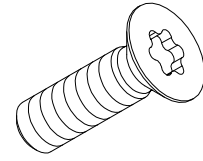


PS
4120.000

Raum für Verpackungsdatum
Area for date of packing
(MMJJTT / MMYDD)

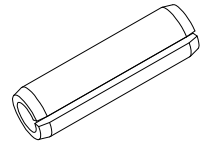


4x



M5x12

2x



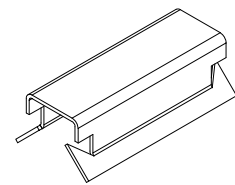
2,5x12

2x



Ø6

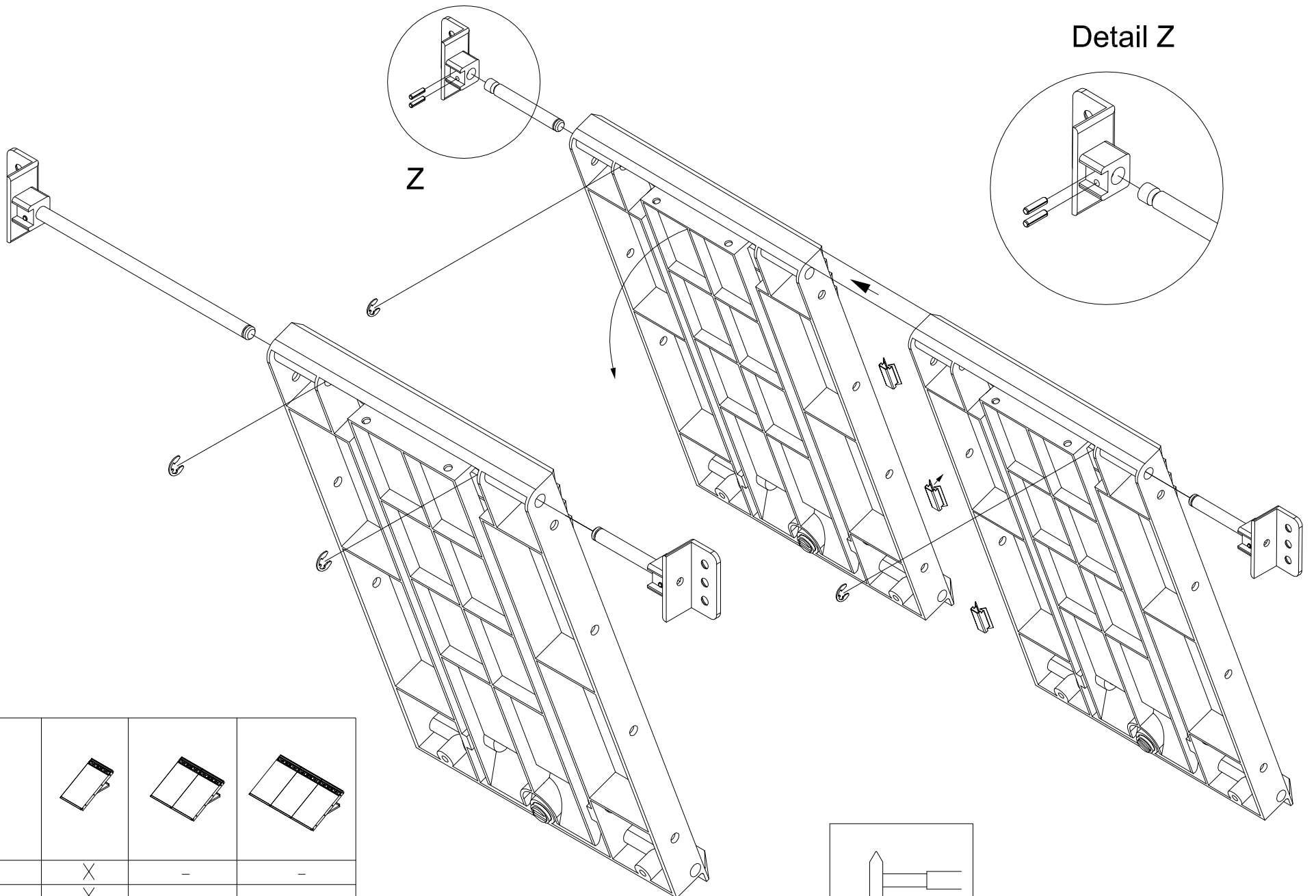
3x



Zchng.-Nr. / No. of dwg. : A2749401TS

Versandbeutel-Nr. / No. of accessory bag : 265376

Lieferanten-Nr. / No. of supplier :



B			
400	X	-	-
500	X	-	-
600	-	X	-
800	-	X	X
1000	-	-	X

