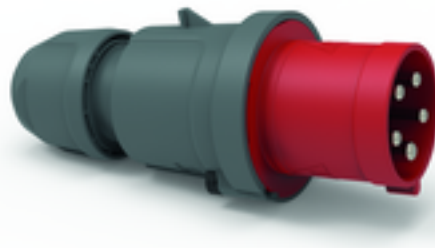


plug - with TE screw terminals, for harsh applications



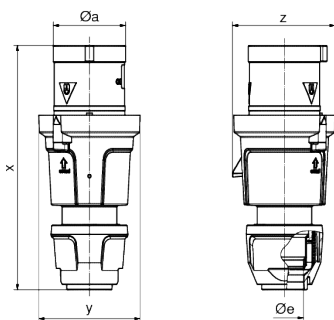
| Product description | |
|---------------------------|---------------------|
| BALS-Prd.-Nr | 2155 |
| EAN | 4024941021555 |
| Product category | TE plug |
| Current | 63A |
| Number of poles | 5p |
| Arrangement of phases | 3p+N+PE |
| Position of earth contact | 6 h |
| Voltage | 200/346 - 240/415V~ |
| Frequency | 50/60Hz |

| Product description | |
|------------------------|--|
| Protection degree | IP44 |
| Colour code | red RAL 3000 |
| Colour of appliance | Collar red RAL 3000, Pusher black RAL 9005, Housing cover dark grey RAL 7012, Cable gland dark grey RAL 7012 |
| Connection design | screw terminal as box terminal |
| Maximum conductor size | 16,0 qmm |
| Cable entry | with cable gland |
| Height | 234mm |
| Width | 97mm |
| Depth | 98mm |
| Material of enclosure | Polyamide |
| Contacts | The contact carrier is made of high temperature resistant material, the contacts are brass nickel plated |

| Additional technical properties | |
|---------------------------------|--|
| | Multi-Grip cable gland with gasket and integrated strain relief, For cable diameter from 16 up to max. 36 mm, Screwless housing connection |

| Logistics data | |
|----------------|-----------------|
| Weight/pcs | 0.65 kg / Piece |
| Packaging | Bag |
| Content amount | 1 ST |
| EAN | 4024941021555 |

| Logistics data | |
|----------------|---------------|
| Length | 98 mm |
| Width | 97 mm |
| Height | 234 mm |
| Weight | 0.651 kg |
| Volume | 2,224.404 ccm |
| Packaging | Carton |
| Content amount | 5 ST |
| EAN | 4024941946278 |
| Length | 325 mm |
| Width | 217 mm |
| Height | 210 mm |
| Weight | 3.456 kg |
| Volume | 13,588.4 ccm |



| | 63 | 63 | 63 |
|---------------|-------|-------|-------|
| Ampere | 3 | 4 | 5 |
| Polzahl | 3 | 4 | 5 |
| ø a | 69,0 | 69,0 | 69,0 |
| ø e | 36,0 | 36,0 | 36,0 |
| x | 233,0 | 233,0 | 233,0 |
| y | 97,0 | 97,0 | 97,0 |
| z | 98,0 | 98,0 | 98,0 |
| Cond. mm² min | 6,0 | 6,0 | 6,0 |
| Cond. mm² max | 16,0 | 16,0 | 16,0 |
| | | | |
| | | | |
| | | | |

