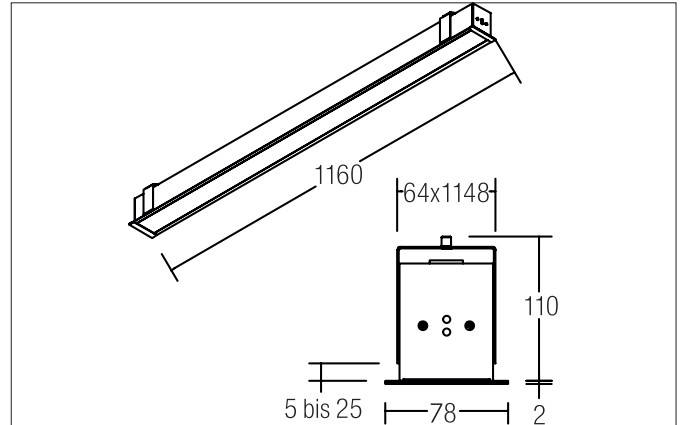


BIRO60 LED recessed profile luminaire, opal cover
Article no. 77002693

Light.
For Generations.



Tender

LED recessed profile luminaire BIRO60, opal cover, silver, rectangular. In a compact design, for installation in tool-less rapid assembly systems. Mounting method: Recessed mounting, Place of installation: Ceiling-mounted, Material: Aluminium / Steel / Plastic, Degree of protection: according to DIN EN 60529 IP20, Protection class: (EN 61140) I, Voltage: 230V AC 50Hz, Power: 27W, Amount of light sources / fittings: 1.0 Qty, Luminous flux: 2.392lm, Colour temperature: 4000 K, Light colour : White, Beam angle: 80°, Adjustability: Not adjustable, With control gear: Yes, control: on/off.

Article data	
Article no.	77002693
GTIN	4251433936343
Series name	BIRO60
Short description	LED recessed profile luminaire, opal cover
Material	Aluminium / Steel / Plastic
Colour	Silver
Shape	Rectangular
Built-in width	64 mm
Built-in length	1148 mm
Installation depth	110 mm
Length	1,165 mm
Width	80 mm
weight	3.180 kg

BIRO60 LED recessed profile luminaire, opal cover

Article no. 77002693

Light.
For Generations.

Lighting technology	
Colour temperature	4000 K
Light colour	White
Light output	Direct
Luminous flux	2,392 lm
Colour rendering	CRI > 80
Beam angle	80°
Light sharing	Symmetric/asymmetric

Operating technology of the luminaire	
System output	27 W
Voltage type	AC
AC nominal voltage max	230 V
Frequenz max.	50 Hz
Lamp	LED
Protection class	I
Degree of protection	IP20
Control	on/off
Bulb change possible	Yes

Mounting technology	
Mounting method	Recessed mounting
Place of installation	Ceiling-mounted
Adjustability	Not adjustable
Further references	No cover with thermal insulation material
Material cover	Plastic, opal

Packing data	
Gross weight	3.7 kg
Length of packaging	1,160 mm
Packaging width	110 mm
Packaging height	100 mm
Disposal at end of life	This product must not be disposed of with household waste. You are obliged, to dispose of such electrical waste separately. By disposing of electrical waste and other old or defective electronics separately, you support recycling or other forms of re-use. In that way you help to take care and to avoid that harmful substances get into the environment.