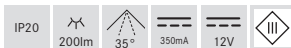
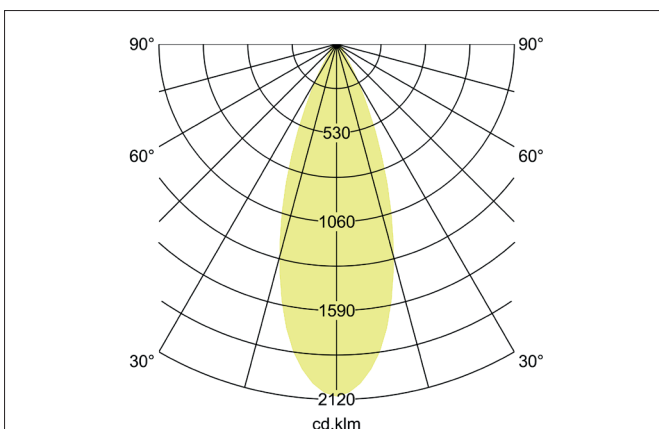
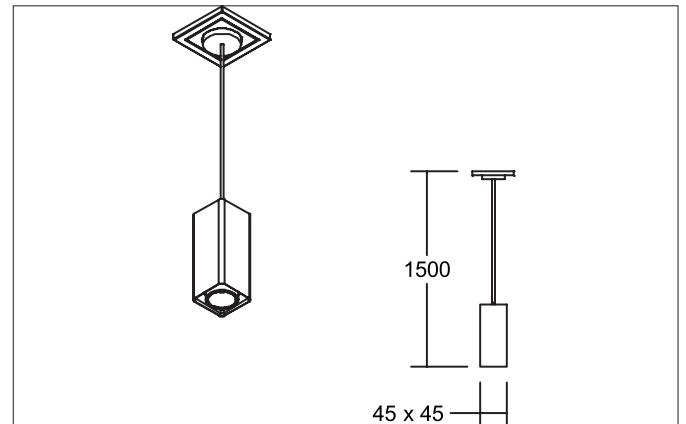


MINIQ Plug & Light LED pendant luminaire

Article no. 12711173

Light.
For Generations.**Tender**

Plug & Light LED pendant luminaire, Round., Hight 1500.0 mm, for pendulum mounting. Pendulum length max. 1500.0 mm Weight 0.476 kg, with rotationssymmetrical, deep, wide distributed light intensity. optimal light distribution due to a plastic, structured cover. Luminous flux 200 lm, UGR < 19, Power 1 x 4 W, Light colour warm white, Correlated color temperature (CCT) 3.000 K, Colour rendering index CRI > 85, Housing material: Aluminium / Acrylic, Colour: White structure, Permissible ambient temperature (ta): -20 °C - +25 °C, Protection class (EN 61140): III, Degree of protection (DIN EN 60529): IP20, .For connection to an external driver, which is not included in the scope of delivery of the luminaire. Other dimmable.

Article data	
Article no.	12711173
GTIN	4251433922711
Series name	MINIQ
Short description	Plug & Light LED pendant luminaire
Material	Aluminium / Acrylic
Colour	White
Type of surface	Structure
Shape	Round
Hight	1500 mm
Scope of delivery	Incl. 1,500 mm pendant suspension
Weight	0.476 kg

MINIQ Plug & Light LED pendant luminaire

Article no. 12711173

Light.
For Generations.

Lighting technology	
Colour temperature	3.000 K
Light colour	White
Light output	Direct
Luminous flux	200 lm
System efficiency	50 lm/W
Colour rendering	CRI > 85
Reflector	Without
Beam angle	35°
Glare evaluation	UGR < 19
Light sharing	Symmetric
Adjustable color temperature	No

Operating technology of the luminaire	
System output	4 W
Voltage type	DC
DC nominal voltage max	12 V
Current	350 mA
Lamp	LED
Lamp holder	Without fitting
Protection class	III
Degree of protection	IP20
Dimmable	Depending on type of control gear
Control	Other
Bulb change possible	The light source of this luminaire may only be replaced by the manufacturer or a service technician commissioned by him or a similarly qualified person.

Mounting technology	
Mounting method	Surface mounting
Place of installation	Ceiling-mounted
Adjustability	Not adjustable
stamp	UKCA
Pendulum length max.	1,500 mm
Material cover	Plastic, structured

Packing data	
Gross weight	0.534 kg
Length of packaging	130 mm
Packaging width	140 mm
Packaging height	75 mm
Disposal at end of life	This product must not be disposed of with household waste. You are obliged, to dispose of such electrical waste separately. By disposing of electrical waste and other old or defective electronics separately, you support recycling or other forms of re-use. In that way you help to take care and to avoid that harmful substances get into the environment.