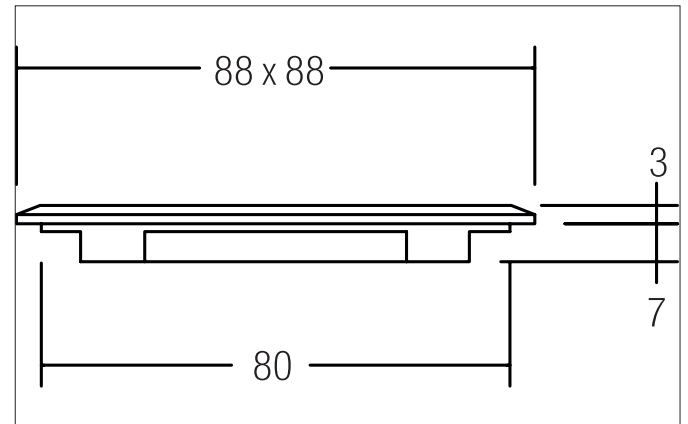


RESEDA-S LED-floor recessed light, IP44

Article no. 3901WW

Light.
For Generations.**Tender**

LED-floor recessed light, IP44, Square. Ceiling cut-out Ø 80 mm, Installation depth 7 mm, Length 88 mm, Width 88 mm, Weight 0,075 kg, with rotationssymmetrical, deep, wide distributed light intensity. optimal light distribution due to a plastic, opal cover. Power 1 x 0,4 W, System Efficiency 0 lm/W, Light colour warm white, Correlated color temprature (CCT) 3.000 K, Colour rendering index , Housing material: Stainless steel / Acrylic, Colour: Stainless steel, Permissible ambient temperature (ta): -20 °C - +25 °C, Protection class (EN 61140): III, Degree of protection (DIN EN 60529): IP44, .For connection to an external driver, which is not included in the scope of delivery of the luminaire. on/off switchable.

Article data	
Article no.	3901WW
GTIN	4250047770237
Series name	RESEDA-S
Short description	LED-floor recessed light, IP44
Material	Stainless steel / Acrylic
Colour	Stainless steel
Shape	Square
Built-in diameter	80 mm
Installation depth	7 mm
Length	88 mm
Width	88 mm
Hight	3 mm
Weight	0.075 kg

RESEDA-S LED-floor recessed light, IP44

Article no. 3901WW

Light.
For Generations.

Lighting technology	
Colour temperature	3.000 K
Light colour	White
System efficiency	0 lm/W
Reflector	Without
Light sharing	Symmetric
Adjustable color temperature	No

Operating technology of the luminaire	
System output	0.4 W
Voltage type	DC
DC nominal voltage max	12 V
Lamp	LED
Lamp holder	Plug&Play
Protection class	III
Degree of protection	IP44
Control	on/off
Bulb change possible	The light source of this luminaire may only be replaced by the manufacturer or a service technician commissioned by him or a similarly qualified person.

Mounting technology	
Mounting method	Recessed mounting
Place of installation	Floor-mounted
Adjustability	Not adjustable
Over rollable	No
stamp	UKCA
Further references	Indoor
Material cover	Plastic, opal

Packing data	
Gross weight	0.109 kg
Length of packaging	90 mm
Packaging width	55 mm
Packaging height	109 mm
Disposal at end of life	This product must not be disposed of with household waste. You are obliged, to dispose of such electrical waste separately. By disposing of electrical waste and other old or defective electronics separately, you support recycling or other forms of re-use. In that way you help to take care and to avoid that harmful substances get into the environment.

Required accessories	