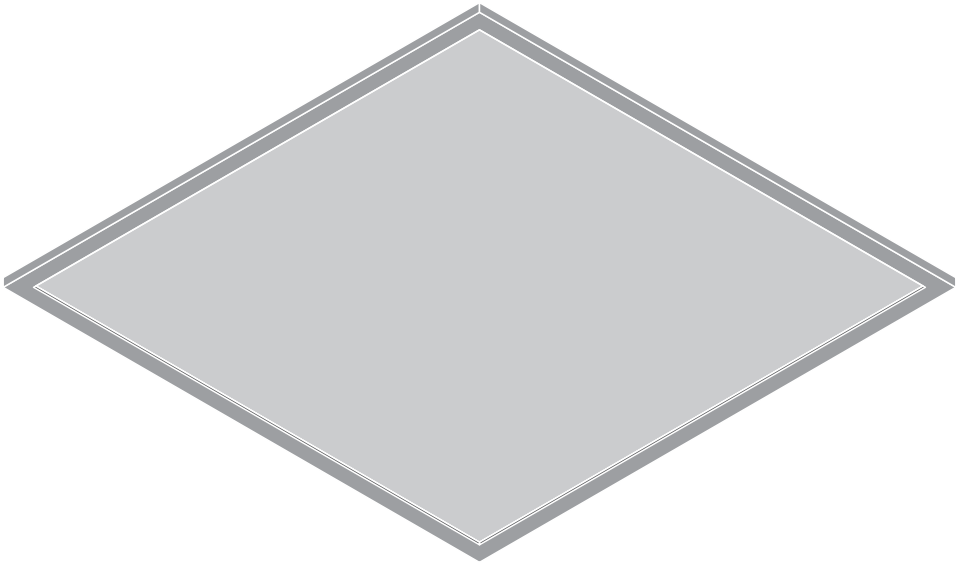

BIOLUX HCL PANEL 600/625 TW DALI

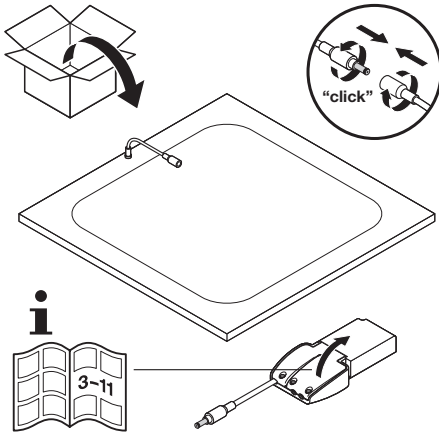
BIOLUX HCL PANEL 625 TW DALI CSW



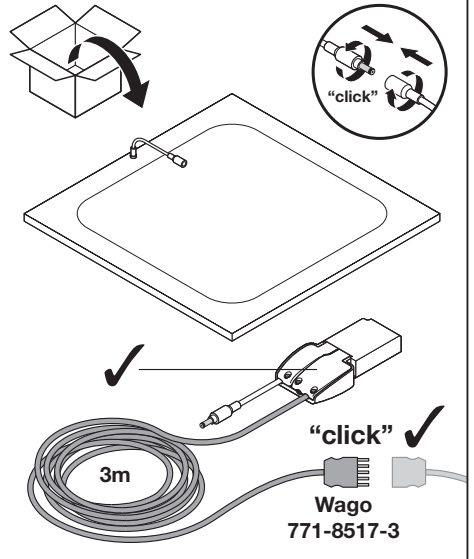
	EAN	l x w x h [mm]	W	V _{AC}	Hz	lm	lm/W
BIOLUX HCL PL 600 S 41W TW DALI	4058075636934	595x595x11	41	220-240	50/60	4200	102
BIOLUX HCL PL 625 S 41W TW DALI	4058075636958	620x620x11	41	220-240	50/60	4200	102
BIOLUX HCL PL 625 S 41W TW DALI CSW	4058075636972	620x620x11	41	220-240	50/60	4200	102

	EAN	K	IP	IK	∠	R _a	ⓘ (°C)	PF	👤
BIOLUX HCL PL 600 S 41W TW DALI	4058075636934	2700-6500	20	03	80°	>90	-20...+40	>0.9	3.1 kg
BIOLUX HCL PL 625 S 41W TW DALI	4058075636958	2700-6500	20	03	80°	>90	-20...+40	>0.9	3.4 kg
BIOLUX HCL PL 625 S 41W TW DALI CSW	4058075636972	2700-6500	20	03	80°	>90	-20...+40	>0.9	3.5 kg

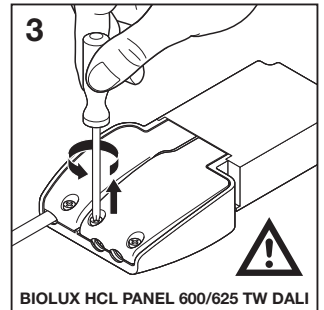
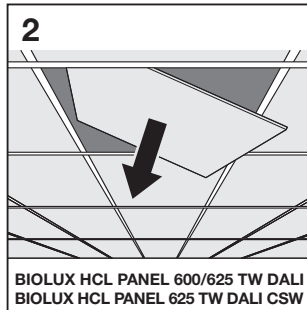
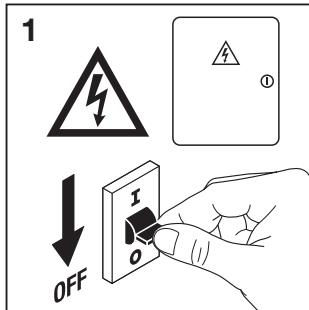
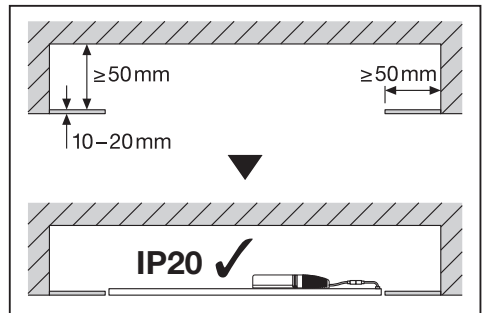
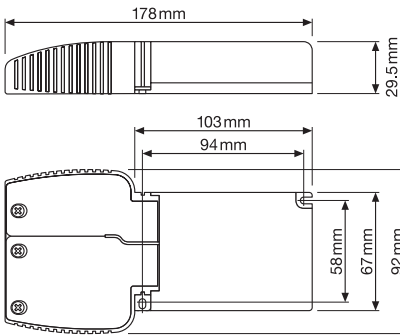
BIOLUX HCL PANEL 600/625 TW DALI



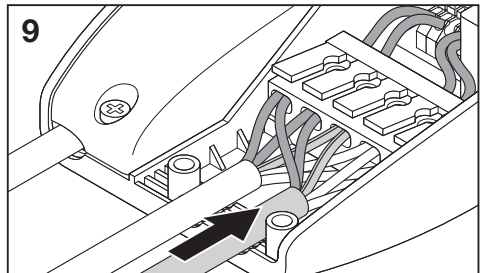
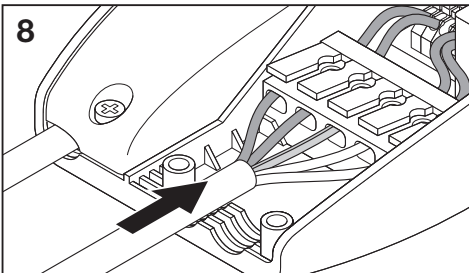
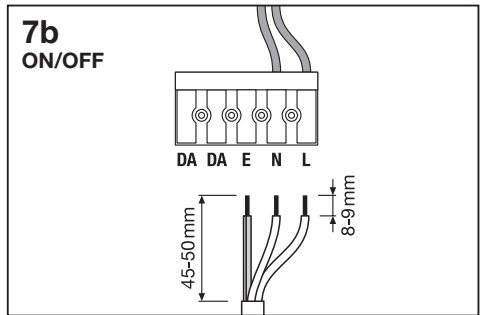
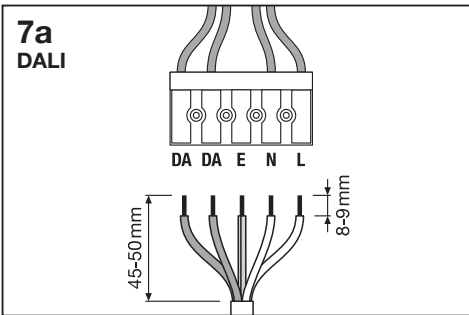
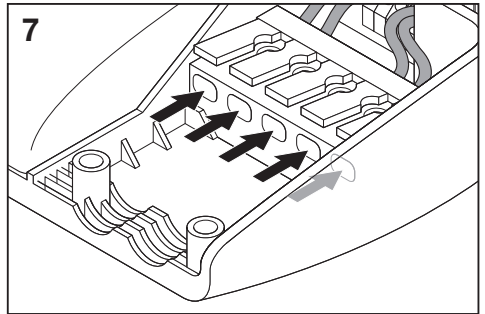
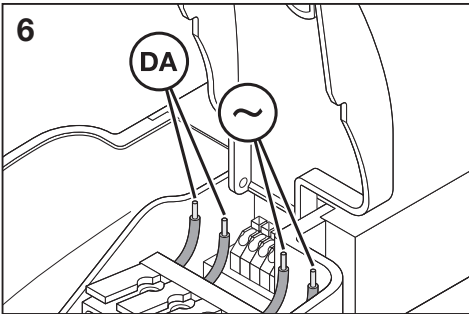
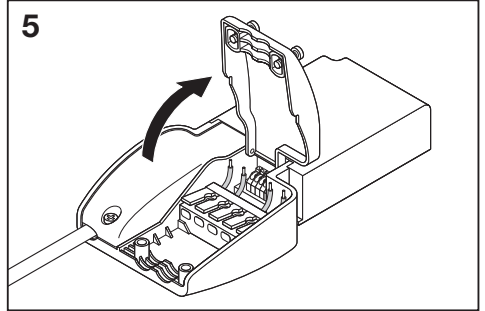
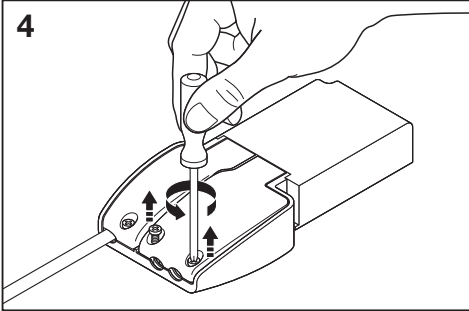
BIOLUX HCL PANEL 625 TW DALI CSW

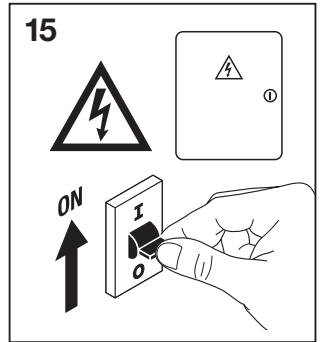
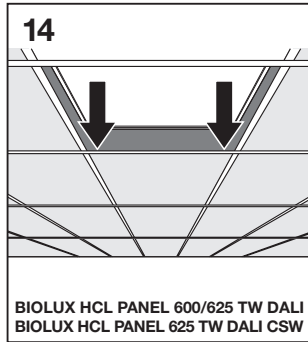
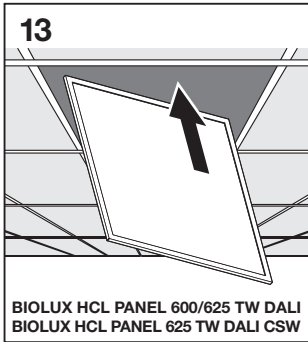
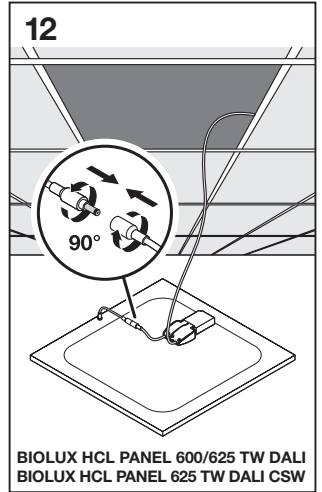
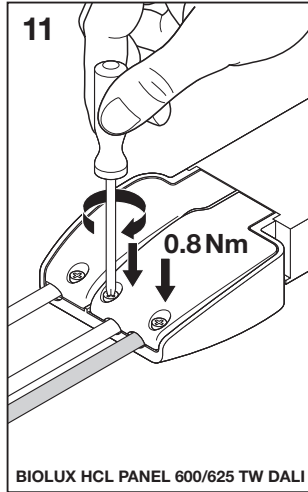
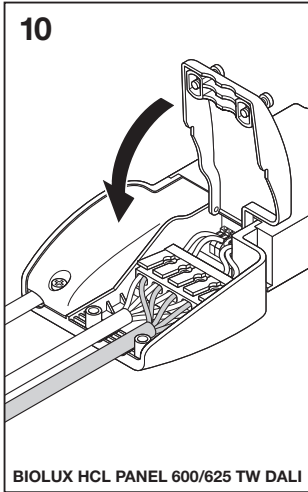


OTi DALI 50/220...240/1A4 NFC TW



3-11: BIOLUX HCL PANEL 600/625 TW DALI





	*B10	*B16	DALI	t _c
BIOLUX HCL PL 600 S 41W TW DALI	n = 14	n = 23	OSRAM OTi DALI 50/220...240/1A4 NFC TW	< 70°
BIOLUX HCL PL 625 S 41W TW DALI	n = 14	n = 23	OSRAM OTi DALI 50/220...240/1A4 NFC TW	< 70°
BIOLUX HCL PL 625 S 41W TW DALI CSW	n = 14	n = 23	OSRAM OTi DALI 50/220...240/1A4 NFC TW	< 70°

C10449057
 G11125237
 08.07.21

LEDVANCE GmbH
 Steinerne Furt 62
 86167 Augsburg, Germany
www.ledvance.com