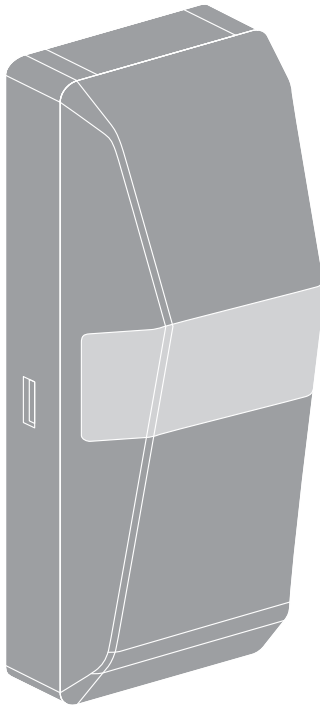



---

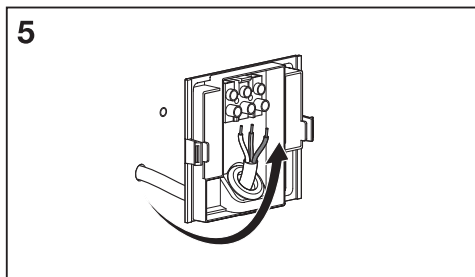
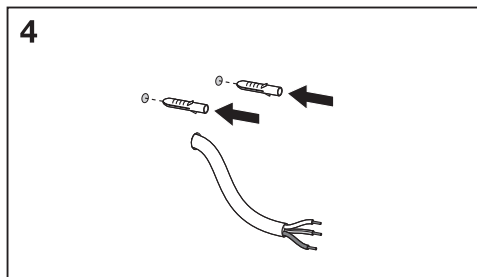
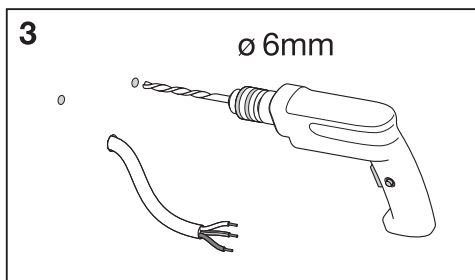
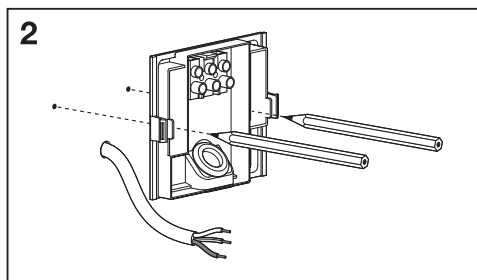
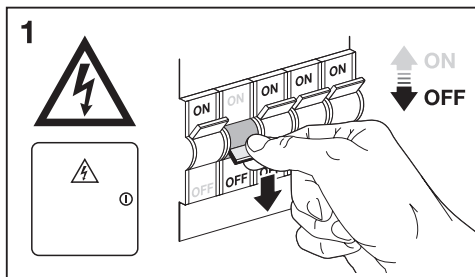
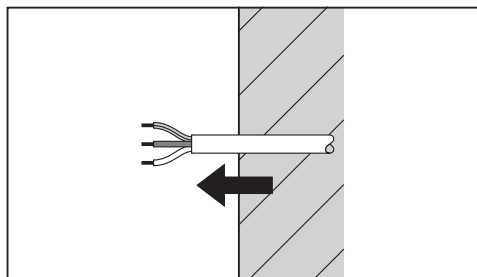
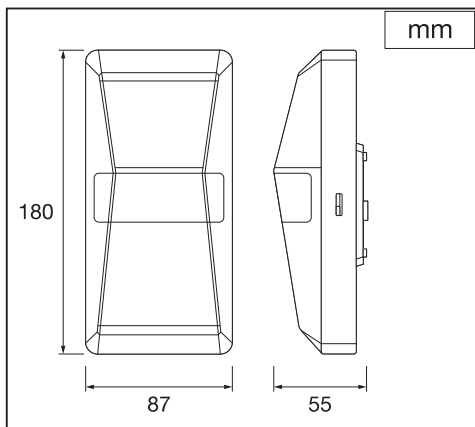
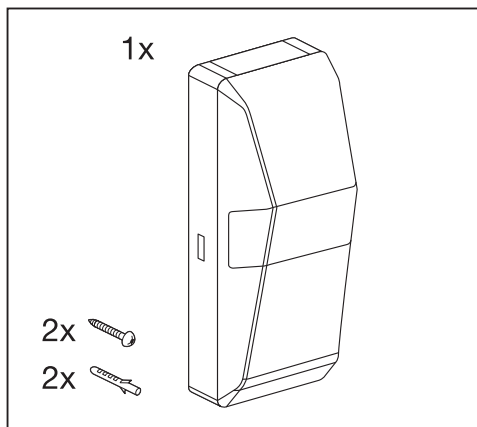
# ENDURA® PRO UPDOWN

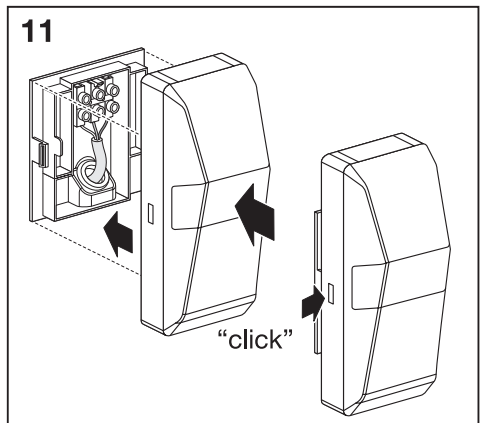
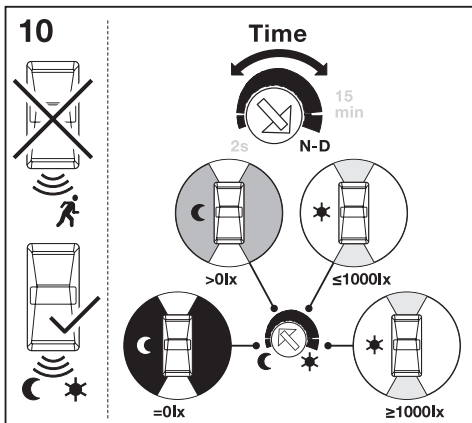
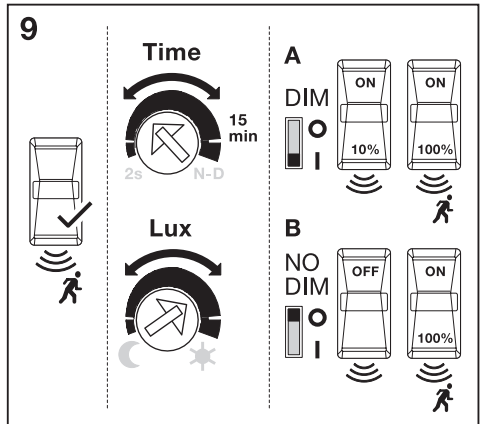
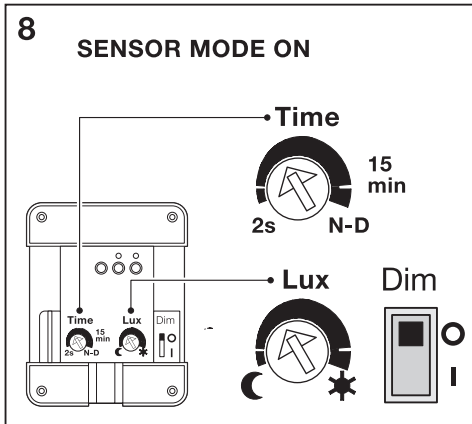
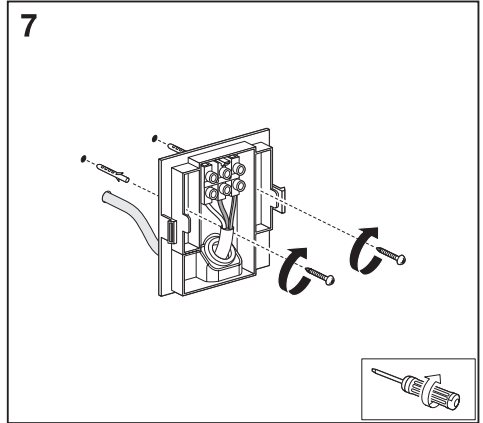
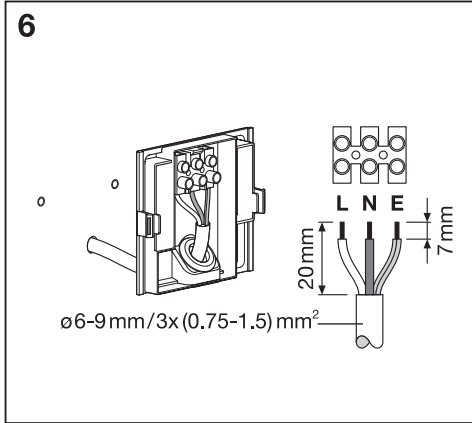
---

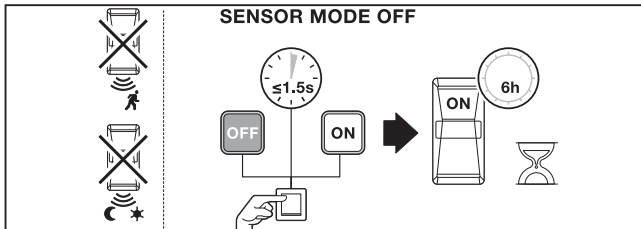
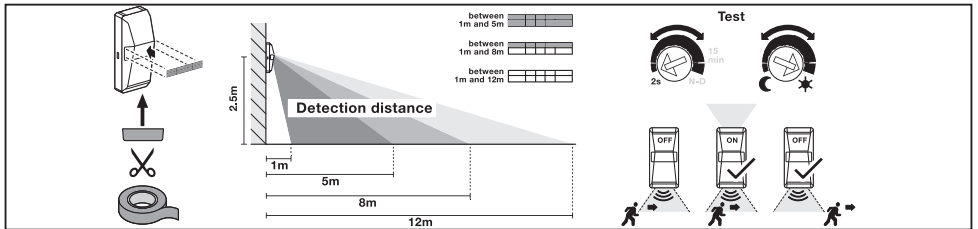
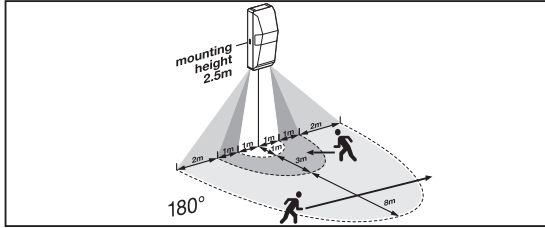
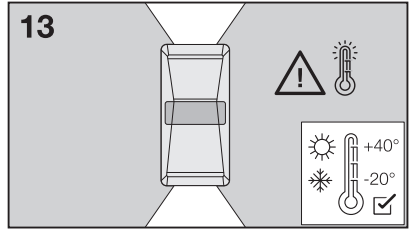
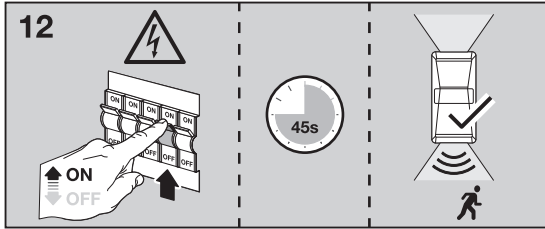
LUMINAIRE WITH SENSOR



	EAN	W	lm	lm/W	K	IP	IK	mA	°C (°C)	VAC	Hz	PF	R <sub>a</sub>	
<b>E PRO UPDOWN S 10W 840 IP55 WT</b>	4058075228948	10	1000	100	4000	55	05	50	-20...+40	220-240V	50/60Hz	>0.85	>80	0.312 kg
<b>E PRO UPDOWN S 10W 840 IP55 DG</b>	4058075228962	10	1000	100	4000	55	05	50	-20...+40	220-240V	50/60Hz	>0.85	>80	0.312 kg







	EAN	This product contains a light source of energy efficiency class	Contained Light Source
E PRO UPDOWN S 10W 840 IP55 WT	4058075228948	F	
E PRO UPDOWN S 10W 840 IP55 DG	4058075228962	F	



C10449057  
G11120271  
28.05.2021



LEDVANCE GmbH  
Steinerne Furt 62  
86167 Augsburg, Germany  
[www.ledvance.com](http://www.ledvance.com)