

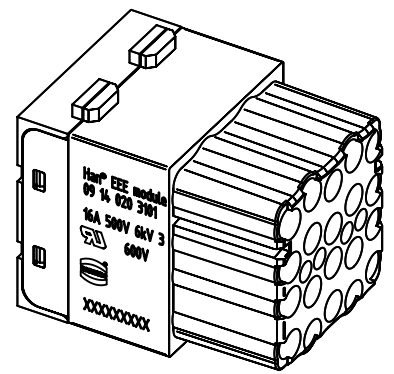
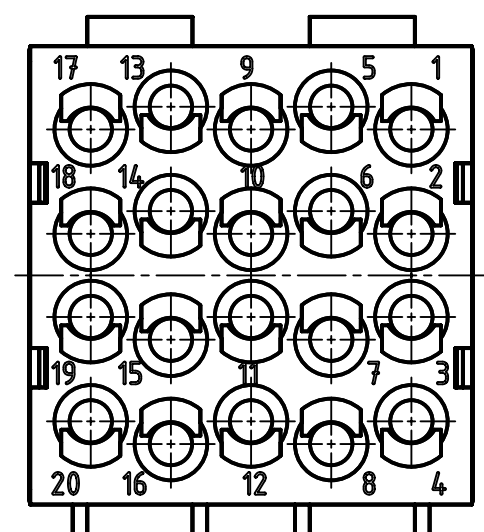
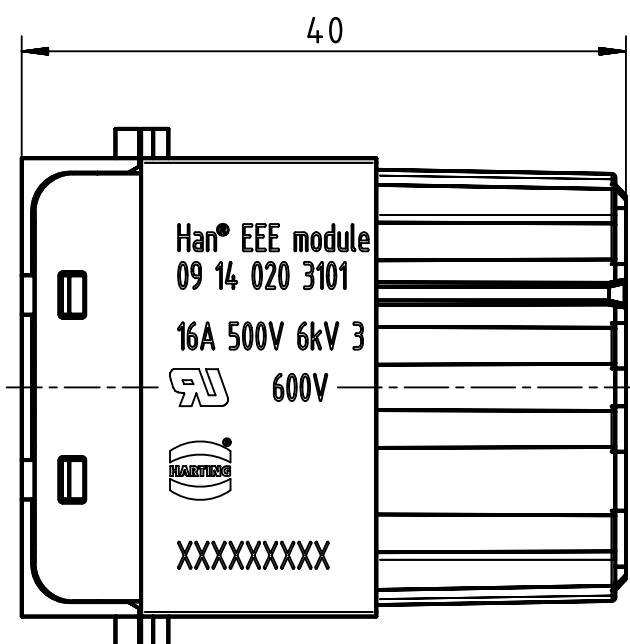
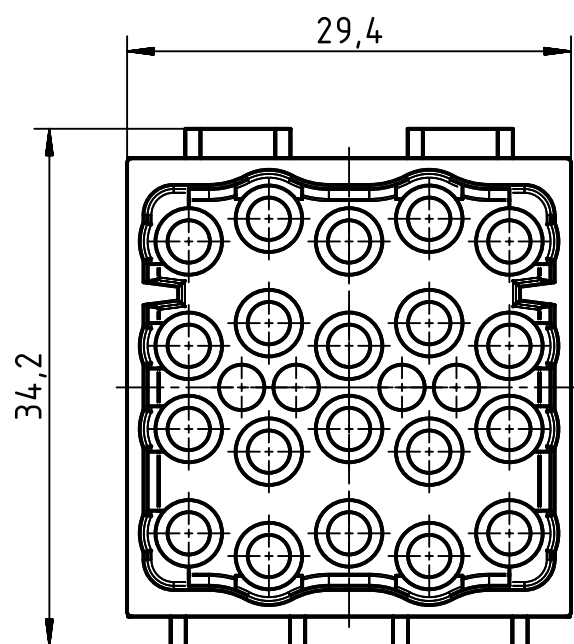
1 2 3 4 5 6

A

B

C

D



	All Dimensions in mm Original Size DIN A4		Scale 2:1	Free size tol.		Ref.
						Sub.
	All rights reserved		Created by RULLKOETTER	Inspected by SCHNIEDER	Standardisation RUETERA	Date 2017-05-30
	Department EL PD - DE		Title Han EEE module, crimp female			State Final Release
HARTING Electric GmbH & Co. KG D-32339 Espelkamp			Type TB	Number 09 14 020 3101		Doc-Key / ECM-Nr. 100168958/UGD/013/B 500000120123
					Rev. B	Page 1/1