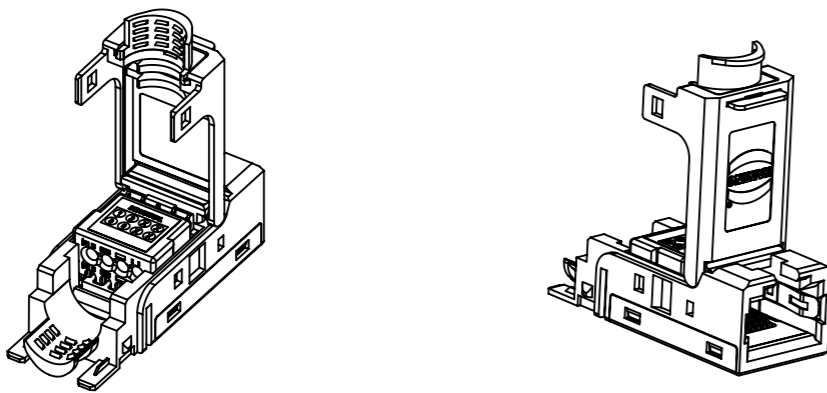
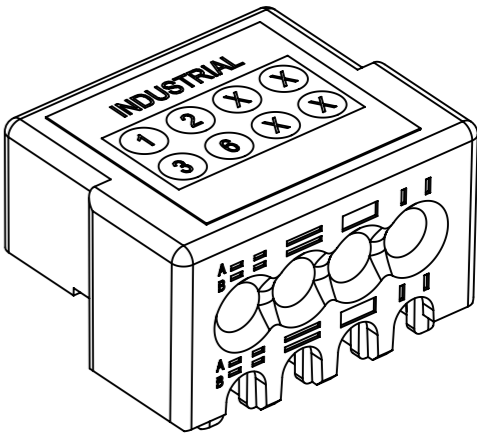


RJ45 mating face  
acc. to IEC 60603-7

(2:1)  
wire manager



	All rights reserved Department EL PD - DE	All Dimensions in mm Original Size DIN A3		Scale 2:1	Free size tol.	Ref. Sub.
		HARTING Electric GmbH & Co. KG D-32339 Espelkamp	Created by MOELLERLI	Inspected by FERDERERA	Standardisation TIEMANNA	Date 2015-02-18
Title Han-Mod RJ45 IDC cable jack 8P AWG 24-22						Doc-Key / ECM-Nr. 100564290/UGD/001/C 50000085271
Type TB				Number 09 14 545 1562		Rev. C
						Page 1/1