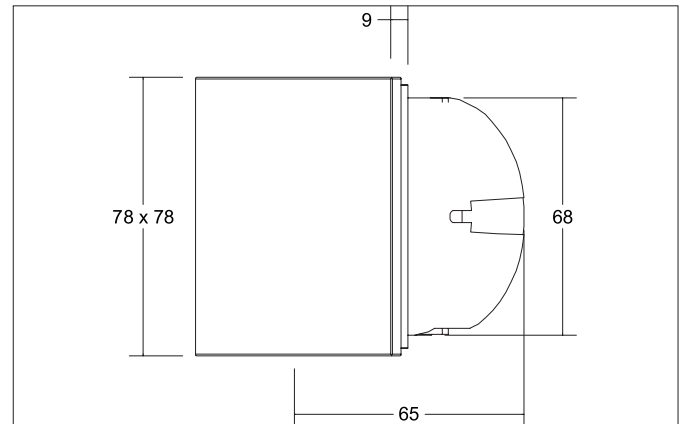
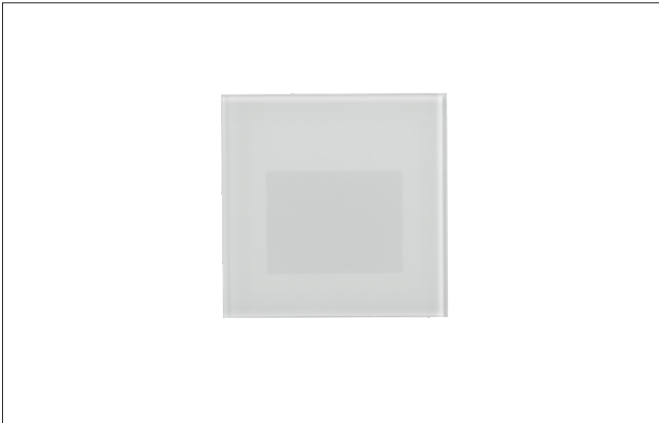


WALL KIT68-S LED wall recessed light, for device socket

Article no. 10159073

Light.
For Generations.**Tender**

LED wall recessed light, for device socket, Square. Ceiling cut-out Ø 68 mm, Installation depth 65 mm, Length 78 mm, Width 78 mm, Weight 0,177 kg, asymmetric optimal light distribution due to a glass opal cover. Luminous flux 35 lm, Power 1 x 1,5 W, Light colour warm white, Correlated color temperature (CCT) 3.000 K, Colour rendering index CRI > 90, Rated life time L70/B50 at 25 °C: 50.000 h, Housing material: Aluminium / Steel / Glass/ Plastic, Colour: White, Permissible ambient temperature (ta): -20 °C - +25 °C, Protection class (EN 61140): I, Degree of protection (DIN EN 60529): IP20, .With electronic driver, on/off switchable.

Article data	
Article no.	10159073
GTIN	4251433925668
Series name	WALL KIT68-S
Short description	LED wall recessed light, for device socket
Material	Aluminium / Steel / Glass/ Plastic
Colour	White
Type of surface	Glossy
Shape	Square
Built-in diameter	68 mm
Installation depth	65 mm
Length	78 mm
Width	78 mm
Hight	9 mm
Scope of delivery	With cover glass
Weight	0.177 kg
Conformance	CE, UKCA

WALL KIT68-S LED wall recessed light, for device socket

Article no. 10159073

Light.
For Generations.

Lighting technology	
Colour temperature	3.000 K
Luminous flux	35 lm
System efficiency	23 lm/W
Colour rendering	CRI > 90
Reflector	Without
Light sharing	Asymmetric
Adjustable color temperature	No

Operating technology of the luminaire	
System output	1.5 W
Voltage type	AC
AC nominal voltage max	230 V
Frequency max	50 Hz
Lamp	LED
Lamp holder	Without fitting
Protection class	I
Degree of protection	IP20
Dimmable	No
Control	on/off
Bulb change possible	The light source of this luminaire may only be replaced by the manufacturer or a service technician commissioned by him or a similarly qualified person.
Rated life time L70/B50 at 25 °C	50,000 h

Mounting technology	
Mounting method	Recessed mounting
Place of installation	Wall-mounted
Adjustability	Not adjustable
Material cover	Glass opal

Packing data	
Gross weight	0.218 kg
Length of packaging	90 mm
Packaging width	55 mm
Packaging height	109 mm
Disposal at end of life	This product must not be disposed of with household waste. You are obliged, to dispose of such electrical waste separately. By disposing of electrical waste and other old or defective electronics separately, you support recycling or other forms of re-use. In that way you help to take care and to avoid that harmful substances get into the environment.