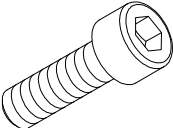
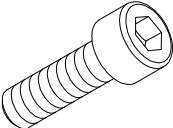
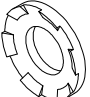






CP
6112.500

Raum für Verpackungsdatum
Area for date of packing
(MMJJTT / MMYDD)

- | | | |
|----|---|-------|
| 4x |  | M8x20 |
| 1x |  | M6x12 |
| 1x |  | Ø6,1 |
| 1x |  | A6,4 |
| 1x |  | |

Zchnng.-Nr. / No. of dwg. : A04972500CPA3
Versandbeutel-Nr. / No. of accessory bag :

Lieferanten-Nr. / No. of supplier :

