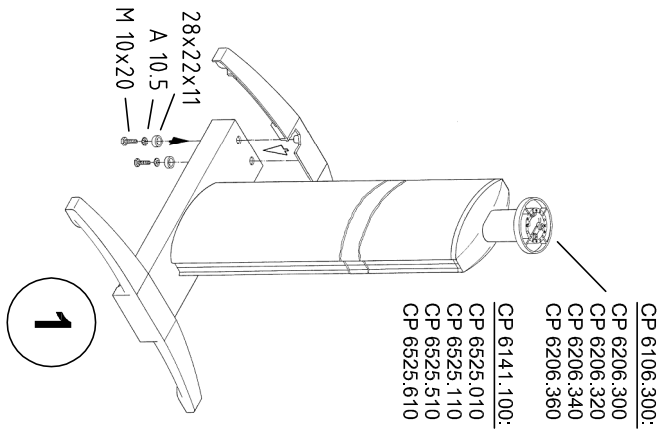




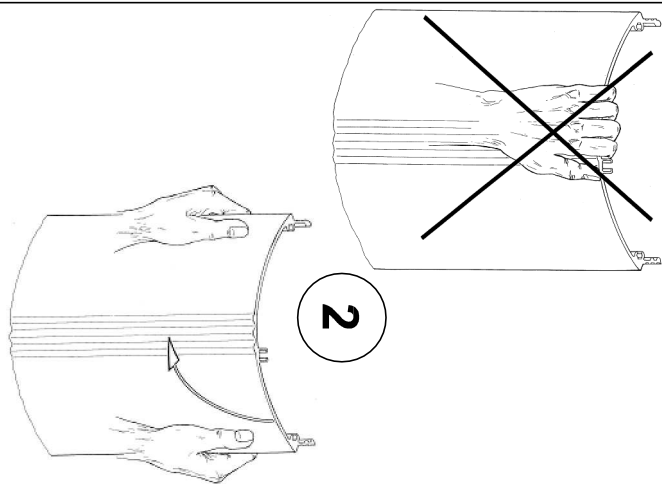
CP  
6106.300  
6141.100

Raum für Verpackungsdatum  
Area for date of packing  
(MMJJTT / MMYDD)



- CP 6106.300:
- CP 6206.300
- CP 6206.320
- CP 6206.340
- CP 6206.360
- CP 6141.100:
- CP 6525.010
- CP 6525.110
- CP 6525.510
- CP 6525.610

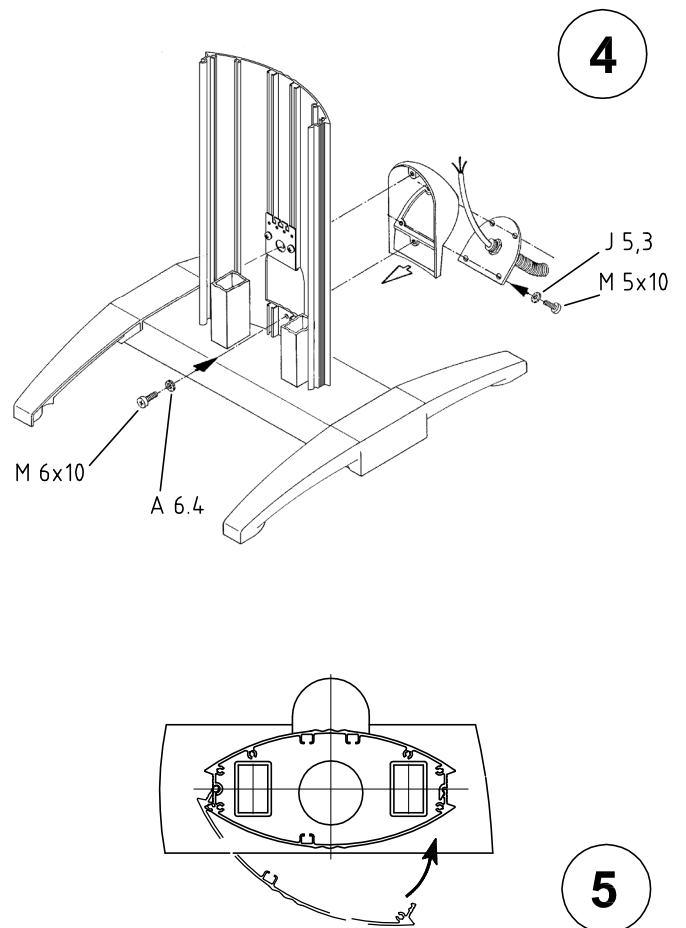
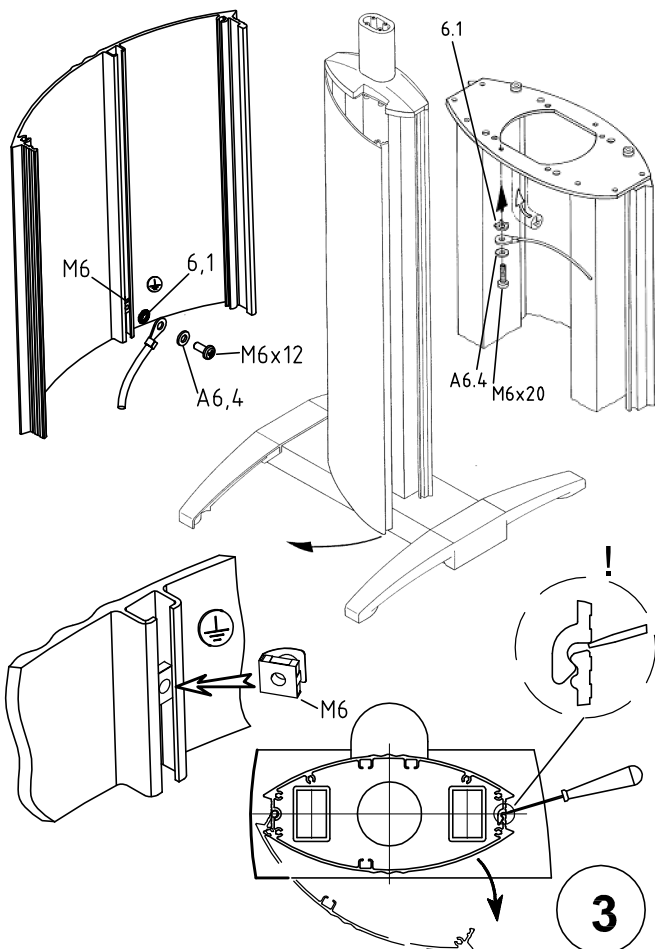
- |    |  |          |    |  |        |
|----|--|----------|----|--|--------|
| 4x |  | 28x22x11 | 1x |  |        |
| 4x |  | M10x20   | 4x |  | M 5x10 |
| 4x |  | A 10.5   | 4x |  | J 5,3  |
| 1x |  | M6x20    | 2x |  | M 6x10 |
| 1x |  | M6x12    | 2x |  | A 6,4  |
| 2x |  | 6.4      | 2x |  | A 6,4  |
| 2x |  | 6.1      | 1x |  | M6     |
| 2x |  | 6.1      |    |  |        |



Zchng.-Nr. / No. of dwg. : A2135305CP

Versandbeutel-Nr. / No. of accessory bag : 278276

Lieferanten-Nr. / No. of supplier :



5