

Wall mounting appliance inlet - housing dimensions 60x56,5



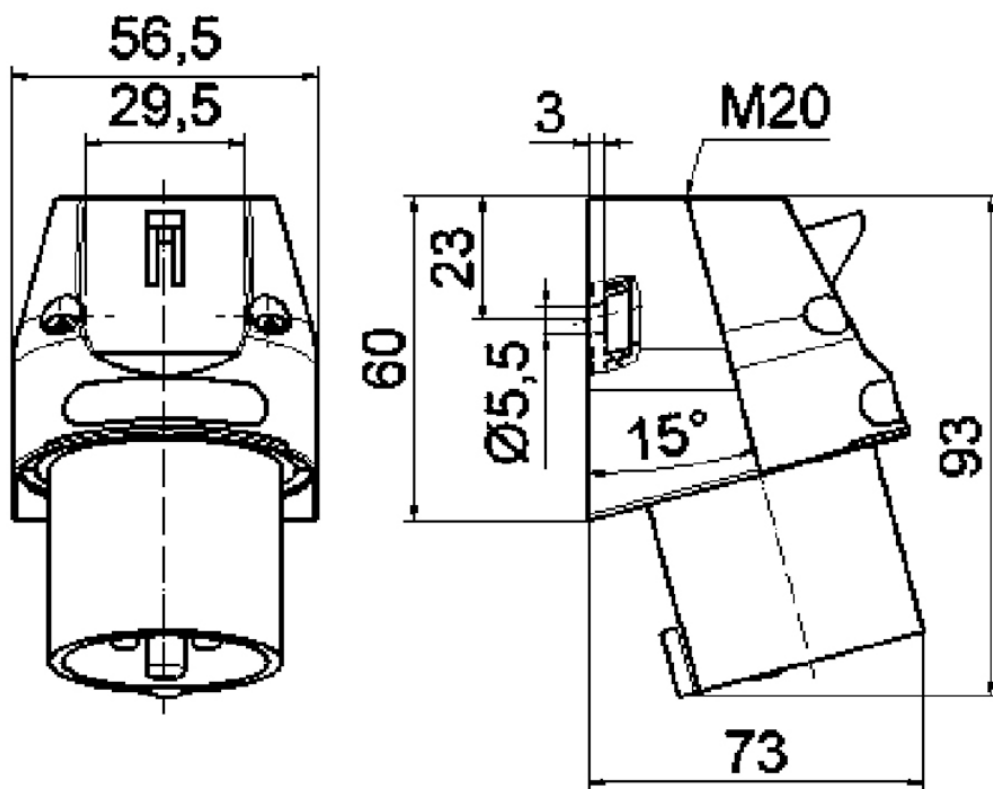
Product description	
BALS-Prd.-Nr	240
EAN	4024941002400
Product category	Wall mounting appliance inlet
Current	16A
Number of poles	3p
Arrangement of phases	2P+PE
Position of earth contact	6 h
Voltage	200 - 250V~

Product description	
Frequency	50/60Hz
Protection degree	IP44
Colour code	blue RAL 5015
Colour of appliance	Housing bottom blue RAL 5015, Housing top blue RAL 5015, Collar blue RAL 5015
Connection design	with screw terminal
Maximum conductor size	2,5 qmm
Cable entry	top entry M20
Height	93mm
Width	57mm
Depth	63mm
Dimension of enclosure	60x56.5 mm (HxW)
Material of enclosure	Polyamide
Contacts	the contact carrier is made of polyamide, the contacts are brass

Additional technical properties	
	The cable entry is one at top open and one rear sided closed

Logistics data	
Weight/pcs	0.111 kg / Piece
Packaging	Bag
Content amount	1 ST

Logistics data	
EAN	4024941002400
Length	63 mm
Width	57 mm
Height	93 mm
Weight	0.112 kg
Volume	333.963 ccm
Packaging	Carton
Content amount	10 ST
EAN	4024941967983
Length	248 mm
Width	158 mm
Height	123 mm
Weight	1.207 kg
Volume	3,960 ccm

**5 MB 160**