

connector - INNOLINQ lead-free, with QUICK-CONNECT and MULTI-GRIP



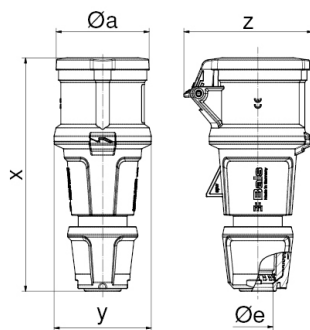
Product description	
BALS-Prd.-Nr	311
EAN	4024941347068
Product category	Connector INNOLINQ QC
Current	16A
Number of poles	3p
Arrangement of phases	2P+PE
Position of earth contact	6 h
Voltage	200 - 250V~

Product description	
Frequency	50/60Hz
Protection degree	IP54
Colour code	blue RAL 5015
Colour of appliance	Collar blue RAL 5015, Hinged lid dark grey RAL 7012, Housing cover dark grey RAL 7012, Cable gland dark grey RAL 7012
Connection design	screwless spring terminals with KONTEX-ULTRA contact
Maximum conductor size	2,5 qmm
Cable entry	with cable gland
Height	157mm
Width	59mm
Depth	80mm
Material of enclosure	Polyamide
Contacts	The contacts are brass, The contact carrier is made of high temperature resistant material

Additional technical properties	
	This product is without any lead
	Multi-Grip cable gland with gasket and integrated strain relief, For cable diameter from 8 up to max. 18 mm, Screwless housing connection with snap fastening

Logistics data	
Weight/pcs	0.154 kg / Piece

Logistics data	
Packaging	Bag
Content amount	1 ST
EAN	4024941347068
Length	80 mm
Width	59 mm
Height	157 mm
Weight	0.155 kg
Volume	741.04 ccm
Packaging	Carton
Content amount	10 ST
EAN	4024941347075
Length	275 mm
Width	175 mm
Height	137 mm
Weight	1.665 kg
Volume	5,737.5 ccm



Ampere Polzahl	16 3	16 5	32 3	32 4	32 5
ø a	55,0	68,0	69,0	69,0	76,0
x	157,0	171,0	205,0	205,0	205,0
y	59,0	71,0	80,0	80,0	80,0
z	80,0	94,0	99,0	99,0	105,0
ø e	18,0	21,0	29,0	29,0	29,0
Cond. mm ² min	1	1	2,5	2,5	2,5
Cond. mm ² max	2,5	2,5	6,0	6,0	6,0