

LED indoor light without sensor - Professional Line

RS PRO P3

warm white

EAN 4007841 056131

Article number 056131

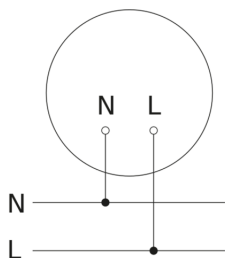


RS PRO P3

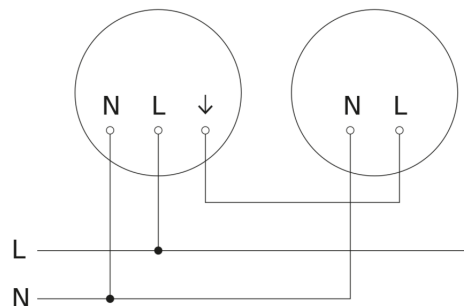
warm white
EAN 4007841 056131
Article number 056131



Master circuit diagram



Master/slave interconnection circuit diagram



Master/slave interconnection circuit diagram

