

Signalling Devices

Visual signalling device Flashing Xenon Beacon

flameproof increased safety

6161/2-61-121-0-1 Art. No. 120674



- Lamp: Flashing beacon – XENON (5 J)/continuous beacon – LED
- Type of protection: Ex d with Ex e connection chamber
- Class: IP66 (IEC 60529)
- Robust aluminium enclosure (powder-coated)
- 6 lens colours available to order

WebCode 6161A



Product series 6161 can be used as a signal lamp or warning lamp, in areas with an explosive gas atmosphere or explosive dust atmosphere.

Technical Data

Explosion Protection

Scope of validity	IECEX ATEX
Application range (zones)	1 2 21 22
IECEX gas certificate	IECEX EPS 20.0004X
IECEX gas explosion protection	Ex db eb IIC T6/T5 Gb
IECEX dust certificate	IECEX EPS 20.0004X
IECEX dust explosion protection	Ex tb IIIC T85 °C ... T100 °C Db
ATEX gas certificate	EPS 20 ATEX 1 008 X
ATEX gas explosion protection	⊕ II 2 G Ex db eb IIC T6/T5 Gb
ATEX dust certificate	EPS 20 ATEX 1 008 X
ATEX dust explosion protection	⊕ II 2 D Ex tb IIIC T85 °C ... T100 °C Db
Certificates	ATEX (BVIS), ATEX (LCI), IECEX (BVIS), IECEX (LCI)
Ship approval	DNVGL

Electrical Data

Rated operational voltage AC	24 – 42 V
Rated operational voltage DC	12 – 48 V
Back-up fuse	4 AT

Lighting Data

Lamp	Flash tube
Flash energy	5 J
Flash rate	1 Hz

Ambient Conditions

Ambient temperature	-40 °C ... +40 °C (T6) -40 °C ... +50 °C (T5)
---------------------	--

Mechanical Data

Degree of protection (IP)	IP66
---------------------------	------

Signalling Devices



Visual signalling device Flashing Xenon Beacon

flameproof increased safety

6161/2-61-121-0-1 Art. No. 120674

Mechanical Data

Degree of protection IP (IEC 60529)	IP66
Enclosure material	Aluminium, powder coated, Seawater resistant
Sealing material	NBR-O-ring seal
Material dome	Polycarbonate (Lexan) prismatic
Material wire guard	Stainless steel
Clamping range max.	13 mm
Clamping range min.	4 mm
Terminal marking	PE + N + L1
Connection terminals solid max.	4 mm ²
Connection terminals finely-stranded max.	2.5 mm ²
Type of connection cable	finely-stranded solid
Width	76 mm
Height	260 mm
Length	91 mm
Lens colour	Yellow
Enclosure colour	yellow / black, powder coated
Weight	1.4 kg
Weight	3.09 lb

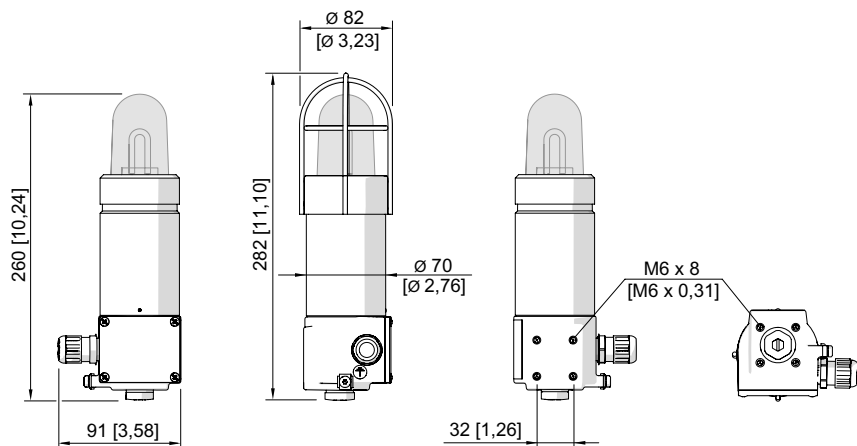
Mounting / Installation

Connection type	Screw terminal block, 3-pole
Material mounting parts	Stainless steel

Components

Drilled holes	2 x M20
Cable entries	1 x M20 Ø 4 – 13 mm
Material cable gland	polyamide black
Stopping plug	1 x M20 x 1,5
Stopping plug material	polyamide black
Wire guard	to be ordered as accessory

Dimensional Drawings (All Dimensions in mm [inches]) – Subject to Alterations



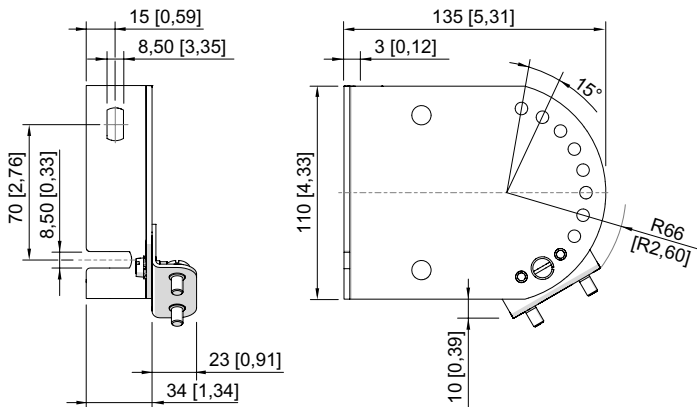
Optical beacon 6161

Signalling Devices

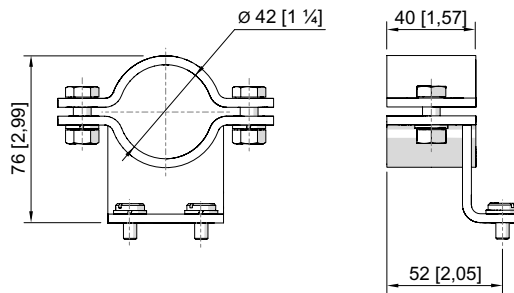
Visual signalling device Flashing Xenon Beacon

flameproof increased safety

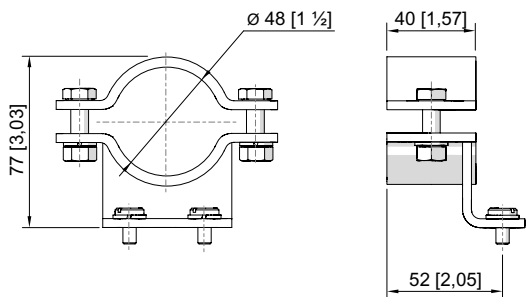
6161/2-61-121-0-1 Art. No. 120674



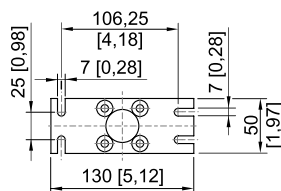
Ceiling and wall-mounting bracket



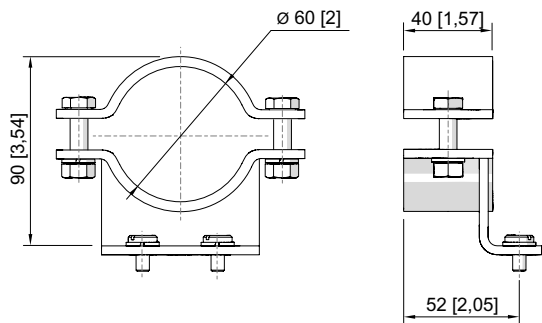
Pipe clamp Ø42



Pipe clamp Ø48



Mounting plate



Pipe clamp Ø60

Signalling Devices

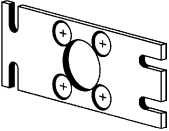
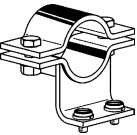
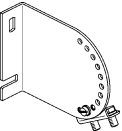



Visual signalling device Flashing Xenon Beacon

flameproof increased safety

6161/2-61-121-0-1 Art. No. 120674



Accessories

Mounting accessories		Art. No.
	Mounting plate for wall or floor mounting (stainless steel), incl. mounting screws (available for 6161)	120821
	Pipe clamp, R 1 1/4"	120812
	Pipe clamp, R 1 1/2"	120819
	Pipe clamp, R 2"	120823
	Mounting bracket for wall or floor mounting, stainless steel, incl. mounting screws (available for 6161)	120826
	Wire guard, stainless steel (available for 6161)	120818
Stopping plug		Art. No.
	8290/3-M20, 1 piece	143522
	8290/3-M20, 100 pieces	143543
Cable gland made of plastic		Art. No.
	8161/7-M20-1304 4 ... 13 mm ² , 50 pieces (delivery lot)	239156

We reserve the right to make alterations to the technical data, dimensions, weights, designs and products available without notice. The illustrations cannot be considered binding.