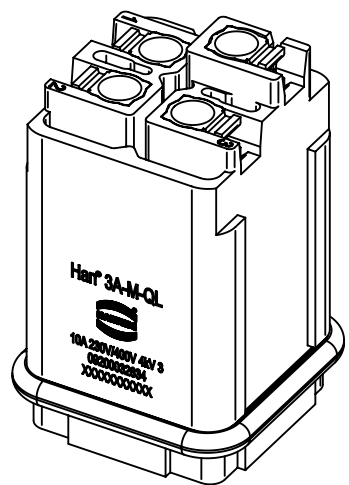
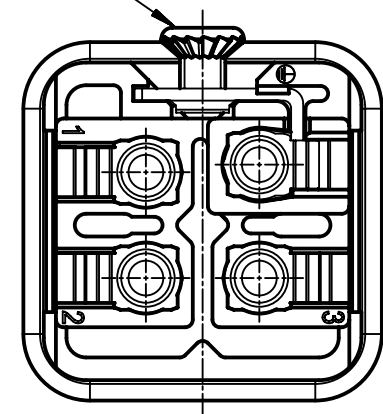
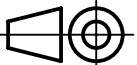



insert fixing screw M3x6
enclosed separately



 All Dimensions in mm Original Size DIN A4	Scale	Free size tol.			Ref.
	2:1				Sub.
 All rights reserved Department EL PD - DE	Created by	Inspected by	Standardisation	Date	State
	RULLKOETTER	BERGHORN	RUETERA	2017-10-04	Final Release
HARTING Electric GmbH & Co. KG D-32339 Espelkamp	Title				Doc-Key / ECM-Nr.
	Han 3A male insert with Quick-Lock 1,5mm				100216035/UGD/002/G 500000126113
Type	Number	Rev.	Page		
TB	09 20 003 2634	G	1/1		