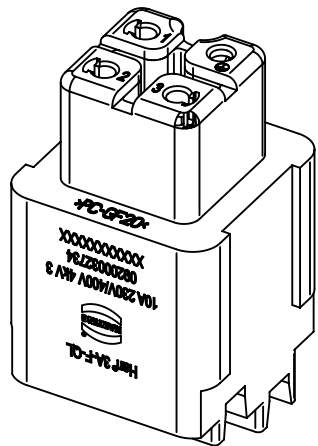
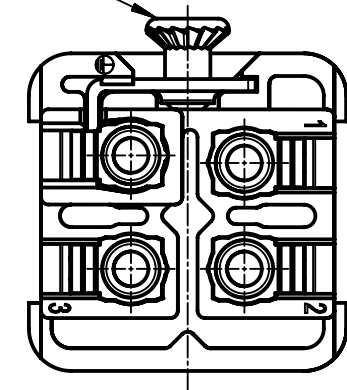
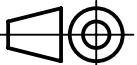



insert fixing screw M3x6
enclosed separately



 All Dimensions in mm Original Size DIN A4	Scale	Free size tol.		Ref.	
	2:1			Sub.	
 All rights reserved Department EL PD - DE	Created by	Inspected by	Standardisation	Date	State
	RULLKOETTER	BERGHORN	RUETERA	2017-10-04	Final Release
HARTING Electric GmbH & Co. KG D-32339 Espelkamp	Title			Doc-Key / ECM-Nr.	
	Han 3A female insert Quick-Lock 1,5mm ²			100216034/UGD/002/E 500000126113	
Type		Number		Rev.	Page
TB		09 20 003 2734		E	1/1