

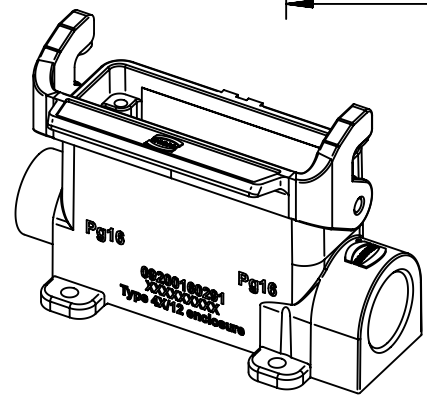
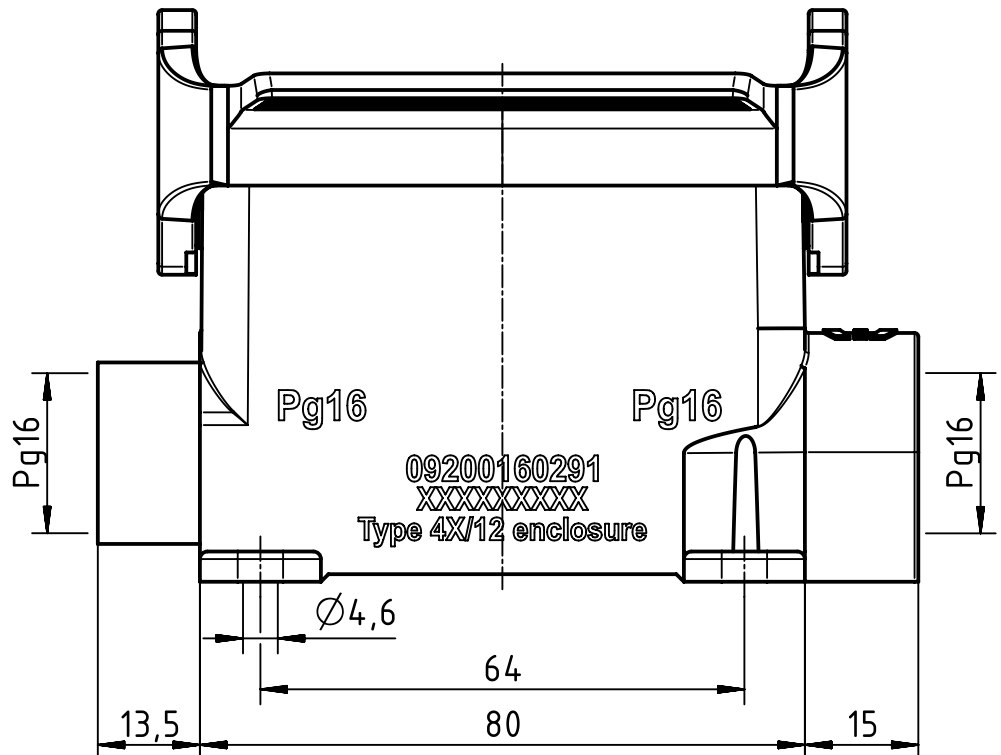
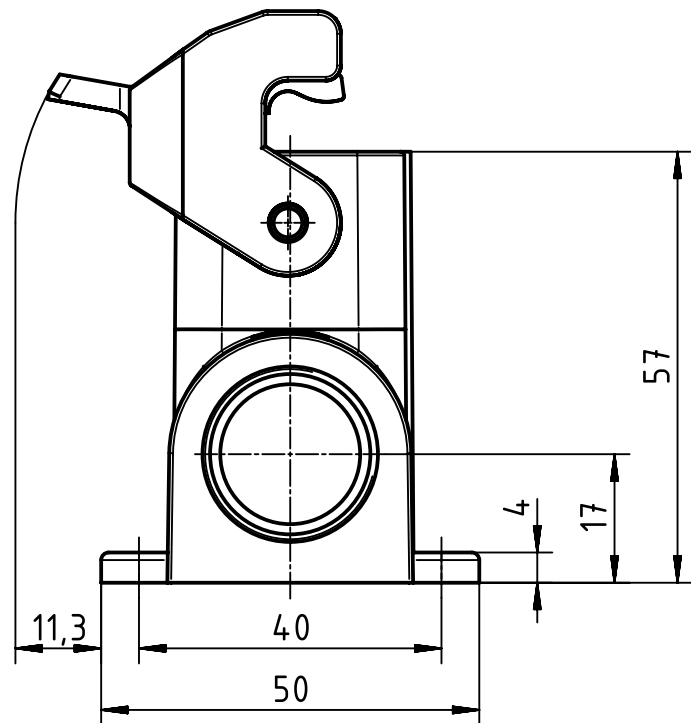
1 2 3 4 5 6

A

B

C

D



	All Dimensions in mm Original Size DIN A4		Scale 1:1	Free size tol.		Ref.
	All rights reserved Department EL PD - DE		Created by FINKEV	Inspected by BERGHORN	Standardisation TIEMANNA	Sub.
HARTING Electric GmbH & Co. KG D-32339 Espelkamp		Title Han 16 A-asg2-LB-16			Date 2017-12-01	State Final Release
		Type TB	Number 09 20 016 0291		Doc-Key / ECM-Nr. 100186502/UGD/004/B 500000128066	Rev. B
						Page 1/1