

8602C3-054-S-C06 Art. No. 223123



- Pushbutton, mushroom pushbutton, mushroom stay-put button with key lock, mushroom stay-put button, twin pushbutton and illuminated pushbutton, rotary actuator, key-operated switch, potentiometer bezel and indicator lamp bezel
- One axial actuator can actuate up to four 8082 series contact elements
- Key-operated switches and rotary switches codable at any time as "latching/spring return" or "key not removable"

WebCode **8602A**



Thanks to their special technical features, the actuators from the 8602/3 series can withstand the most extreme conditions. In addition to the application option for use in ambient temperatures from -60 °C to +70 °C, the IP degree of protection, IP66, is maintained in accordance with EN 60529. It is also possible to actuate up to four contact elements from the 8082 series with a single axial actuator from the 8602/3 series.

The coding option of the key switches and rotary switches is innovative and one-of-a-kind. Integrated coding allows you to adjust the "latching/spring return" and/or "key not removable" functions at any time without additional accessories. A versatile set of accessories consisting of label holders and locking devices is available.

Technical Data

Explosion Protection

Application range (zones)	1 2 21 22
IECEX gas certificate	IECEX PTB 13.0047U
IECEX gas explosion protection	Ex eb IIC Gb
IECEX dust certificate	IECEX PTB 13.0047 U
IECEX dust explosion protection	Ex tb IIIC Db
ATEX gas certificate	PTB 13 ATEX 1019 U
ATEX gas explosion protection	Ex II 2 G Ex eb IIC Gb
ATEX dust certificate	PTB 13 ATEX 1019 U
ATEX dust explosion protection	Ex II 2 D Ex tb IIIC Db
UL gas certificate	E182378 V4 S2
Inmetro gas certificate	UL-BR 14.0380U
Inmetro dust certificate	UL-BR 14.0380U
Certificates	ATEX (PTB), Brazil (ULB), Canada / USA (UL), EAC (CCVE), IECEX (PTB), India (PESO), Korea (KGS)

Ambient Conditions

Ambient temperature	-60 °C ... +60 °C
Ambient temperature	-76 °F ... +158 °F
Storage temperature	-60 °C ... +70 °C
Storage temperature	-76 °F ... +158 °F
Use at the height of	< 2000 m

8602C3-054-S-C06 Art. No. 223123

Ambient Conditions

Degree of contamination	3
-------------------------	---

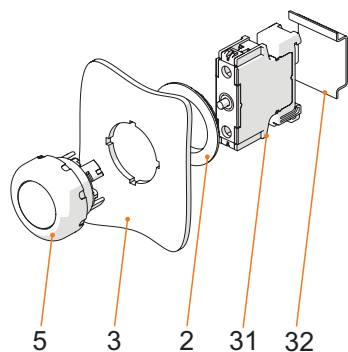
Mechanical Data

Degree of protection (IP)	IP66
Note on degree of protection	acc. to IEC/EN 60529
Enclosure material	Polyamide
Silicone-free	No
Assembly	054
Diameter	39 mm
Service life, min.	10 ⁸ actuations
Impact strength (IEC 60079)	4 J
Impact strength (IEC 62262)	min. IK07
Lens colour	All colours
Mounting	Thread type
Seal	Silicone
Packaging unit	1
Weight	0.024 kg
Weight	0.05 lb

Mounting / Installation

Tightening torque	3 Nm
Tightening torque lbf in	26.55 lbf in

Technical Drawings – Subject to Alterations



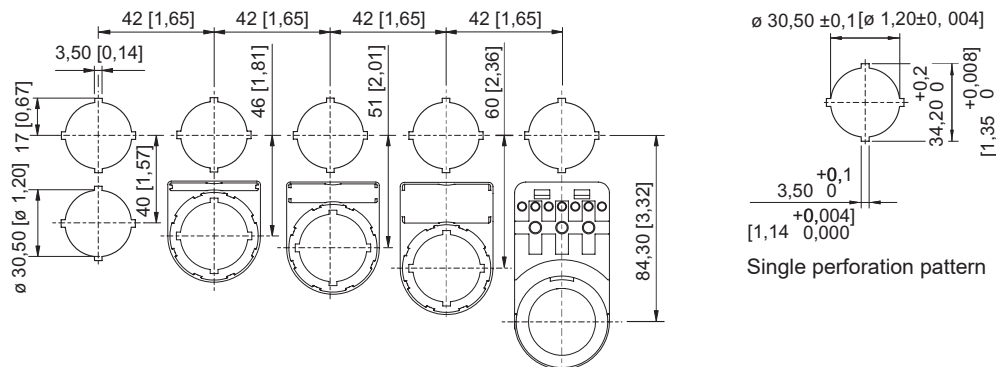
Mounting rail mounting

Legend

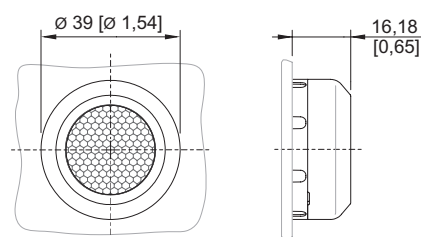
- 2 = Jam nut (order no. 205592)
- 3 = Installation wall (wall thickness max. 5 mm [0.197 in])
- 5 = Actuator with seal
- 31 = Built-in element
- 32 = Mounting rail TS35

8602C3-054-S-C06 Art. No. 223123

Dimensional Drawings (All Dimensions in mm [inches]) – Subject to Alterations



Standard cut-out with / without front label



8602/3-054 Indicator lamp bezel
Actuator without actuation

Accessories

Label holder



Size 1, without insert disc, 1-line label
for actuators $\varnothing 39$

Art. No.

223566

Insert discs for label holder



1-line
Plain
Material: PVC
Colour: White
Self-adhesive

Art. No.

238271



2-line
Plain
Material: PVC
Colour: White
Self-adhesive

Art. No.

238272



3-line
Plain
Material: PVC
Colour: White
Self-adhesive

Art. No.

238273

Closing part



8602C3-733-B
for closing unused holes in cover, $\varnothing 30.5$ mm, NBR

Art. No.

244306








8602C3-733-S
for closing unused holes in cover, $\varnothing 30.5$ mm, silicone

Art. No.

244307

8602C3-054-S-C06 Art. No. 223123

Spare Parts

Caps for BG 054		Art. No.
	for indicator lamp, all colours packaged	248685
Label holder		Art. No.
	Size 2, without insert disc, 1- or 2-line label for actuators Ø 39	223567
	Size 3, without insert disc, 1-, 2- or 3-line label for actuators Ø 39	223568
Special key		Art. No.
	for tightening plastic locking nut	169101
Covering		Art. No.
	for NEC indicator lamp BG 054 and NEC potentiometer BG 092	252023
	for NEC front installation indicating lamp BG 054	253260
Indicator lamp 8010/6		Art. No.
	for Ex e front installation	240900
	for Ex i front installation	240901
	for EEB front installation	274899

We reserve the right to make alterations to the technical data, dimensions, weights, designs and products available without notice. The illustrations cannot be considered binding.