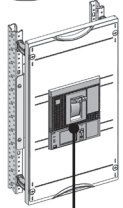
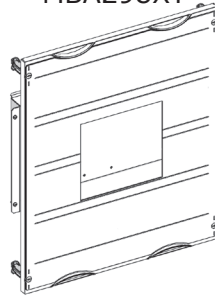
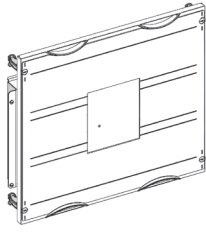
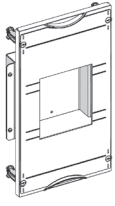


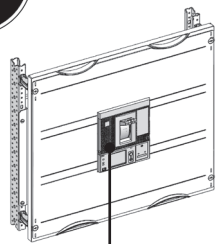
MBA192XT

MBA292XT

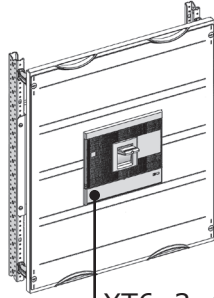
MBA298XT



XT5 3p



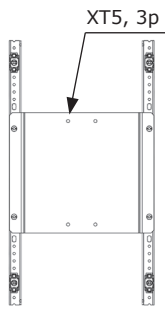
XT5 3p/4p



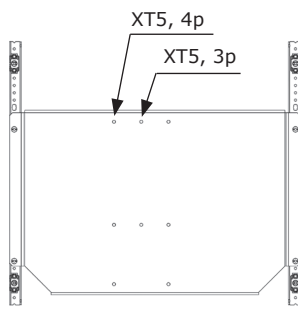
XT6 3p/4p

133616

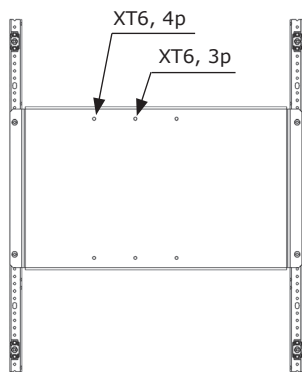
		<b>MBA192XT</b>	<b>MBA292XT</b>	<b>MBA198XT</b>
<b>1</b>		4x	4x	4x
<b>2</b>		1x	1x	1x
<b>3</b>	 (4,8x11,5)	4x	4x	4x
<b>5</b>		1x	1x	1x



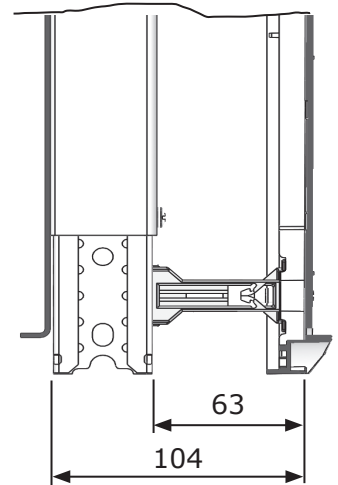
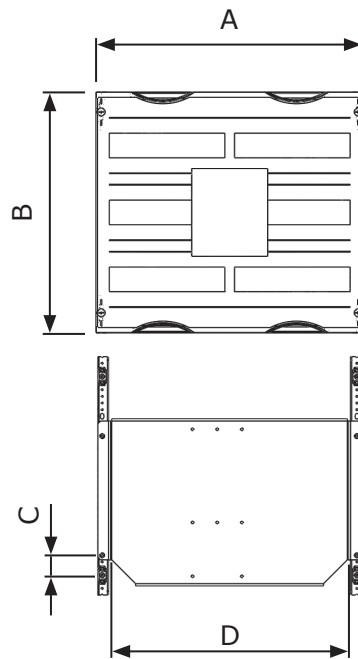
MBA192XT



MBA292XT



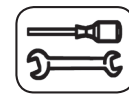
MBA298XT



	XT..		A	B	C	D		
<b>MBA192XT</b>	XT5 3p	1 & 6	250	450	112,5	198	X	X
<b>MBA292XT</b>	XT5 3p/4p	1 & 6	500	450	37,5	448	/	X
<b>MBA298XT</b>	XT6 3p/4p	1 & 8	500	600	162,5	448	/	X



www.striebelundjohn.com



T25



PH2

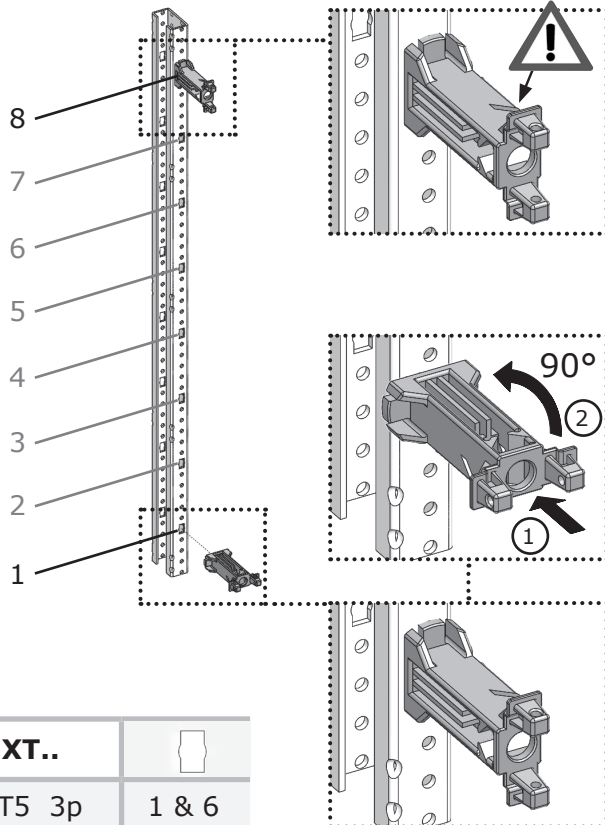
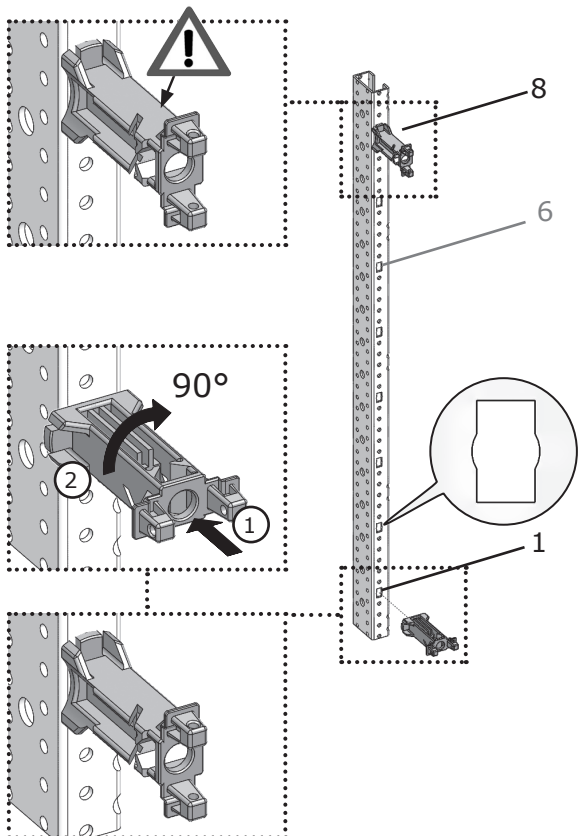



WR



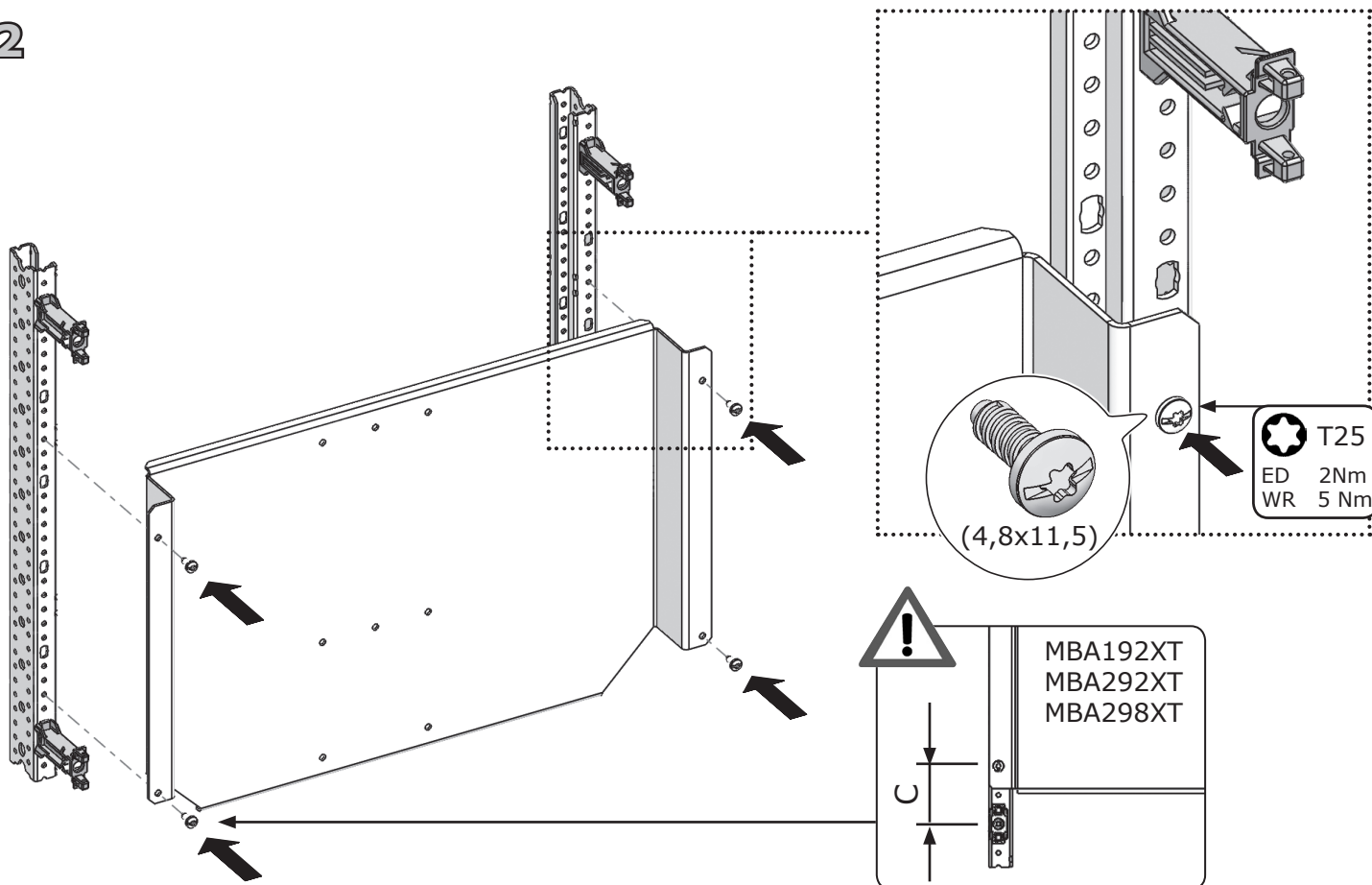
ED

**1**

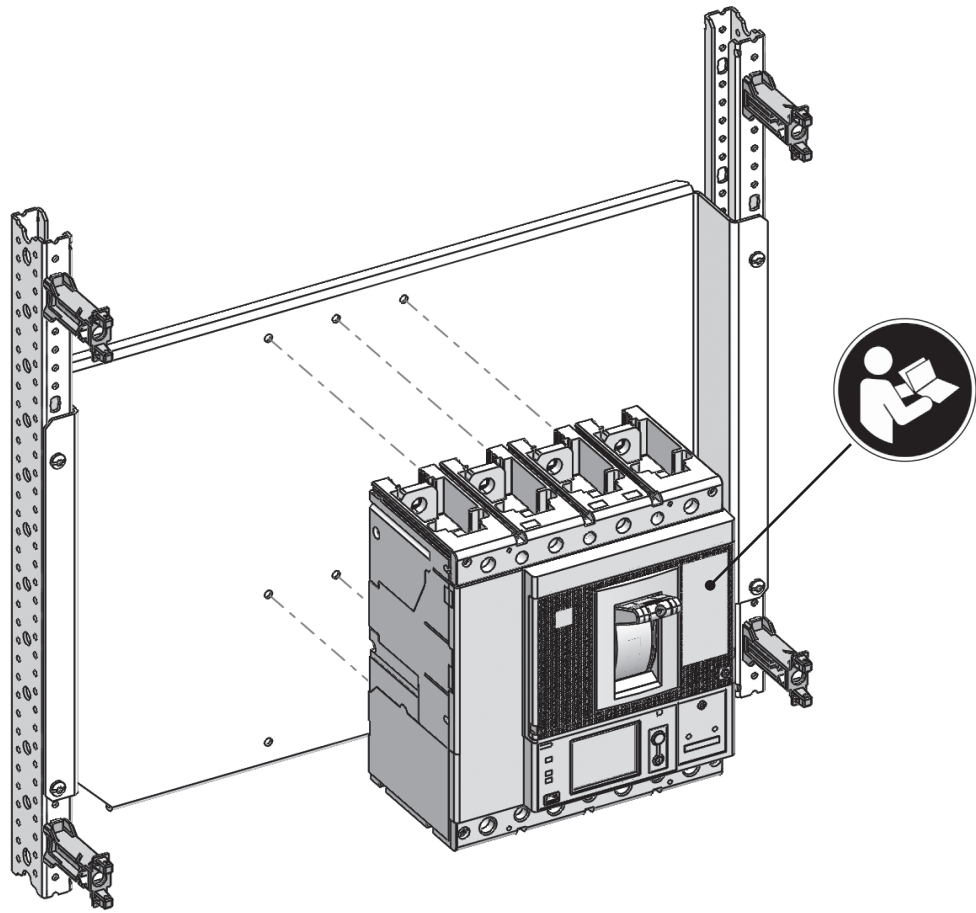


	XT..	
<b>MBA192XT</b>	XT5 3p	1 & 6
<b>MBA292XT</b>	XT5 3p/4p	1 & 6
<b>MBA298XT</b>	XT6 3p/4p	1 & 8

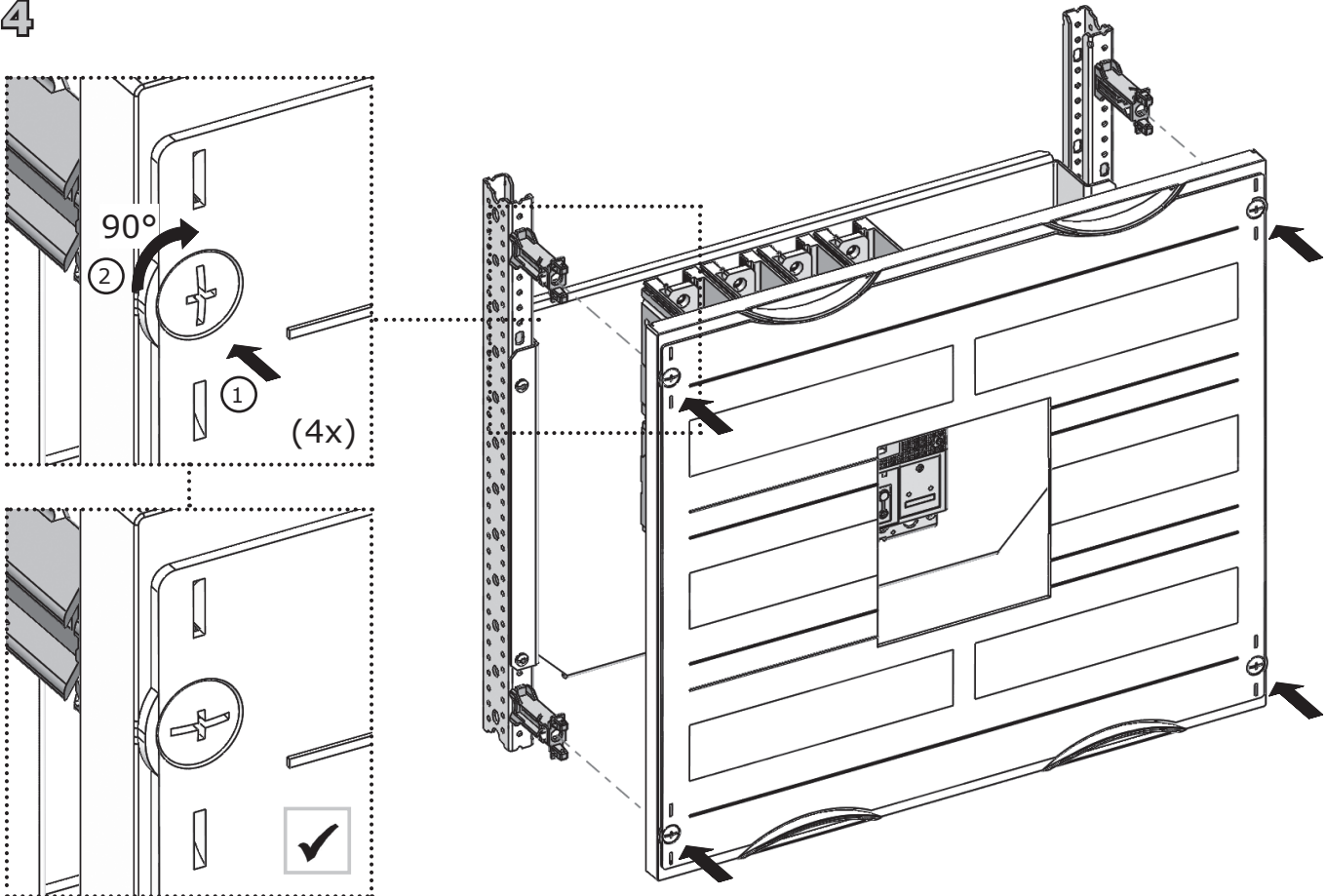
**2**



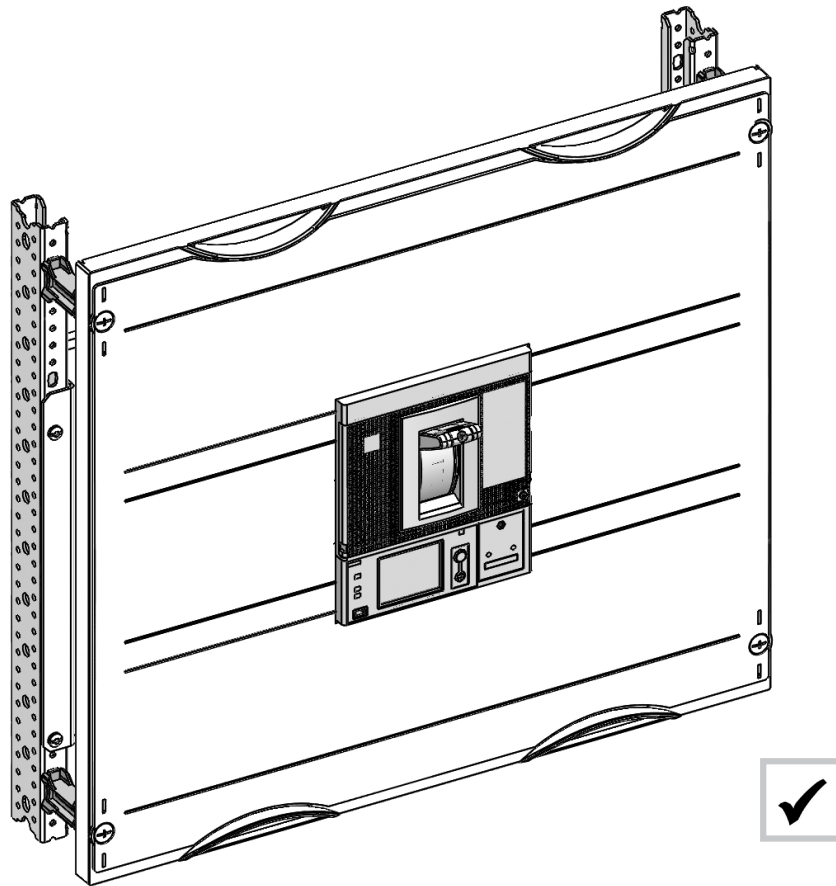
3



4



5



NOTES