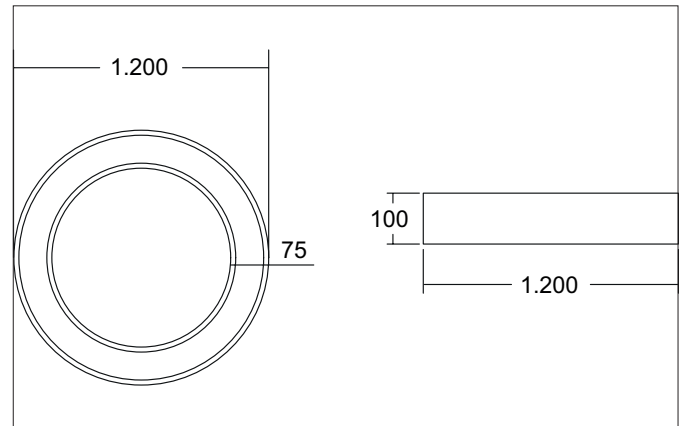


**BIRO CIRCLE LED surface mounted ring light, direct, DALI dimmable**

Article no. 13573184

Light.  
For Generations.**Tender**

LED surface mounted ring light, direct, DALI dimmable, Round. Luminaire diameter 1200.0 mm, Height 100.0 mm Weight 9.0 kg, with rotati-onssymmetrical, deep, wide distributed light intensity. optimal light distribution due to a plastic, opal cover. Luminous flux 8.046 lm, Power 1 x 78 W, Light colour neutral white, Correlated color temperature (CCT) 4.000 K, Colour rendering index CRI > 80, Rated life time L70/B50 at 25 °C: 276.000 h, Rated life time L80/B20 at 25 °C: 153.000 h, Rated life time L80/B50 at 25 °C: 153.000 h, Housing material: Aluminium / Steel / Plastic, Colour: Black structure, Permissible ambient temperature (ta): -20 °C - +25 °C, Protection class (EN 61140): I, Degree of protection (DIN EN 60529): IP20, .With electronic driver, DALI dimmable.

| Article data      |   |
|-------------------|---|
| Article no.       | 13573184  |
| GTIN              | 4251433959557   |
| Series name       | BIRO CIRCLE   |
| Short description | LED surface mounted ring light, direct, DALI dimmable     |
| Material          | Aluminium / Steel / Plastic                               |
| Colour            | Black   |
| Type of surface   | Structure   |
| Shape             | Round   |
| Outer diameter    | 1200 mm   |
| Height            | 100 mm  |
| Scope of delivery | Incl. converter for connection to the 230-V mains voltage |
| Weight            | 9.000 kg  |

**BIRO CIRCLE LED surface mounted ring light, direct, DALI dimmable**

Article no. 13573184

Light.  
For Generations.

| Lighting technology          |               |
|------------------------------|---------------|
| Colour temperature           | 4000 K        |
| Light colour                 | White         |
| Light output                 | Direct        |
| Luminous flux                | 8,046 lm      |
| System efficiency            | 103 lm/W      |
| McAdam-Step                  | McAdam-Step 3 |
| Colour rendering             | CRI > 80      |
| Reflector                    | Without       |
| Beam angle                   | 110°          |
| Light sharing                | Symmetric     |
| Adjustable color temperature | No            |

| Operating technology of the luminaire |                 |
|---------------------------------------|-----------------|
| System output                         | 78 W            |
| Voltage type                          | AC              |
| AC nominal voltage max                | 230 V           |
| Frequenz max.                         | 50 Hz           |
| Lamp                                  | LED             |
| Lamp holder                           | Without fitting |
| Protection class                      | I               |
| Degree of protection                  | IP20            |
| Control                               | DALI            |
| Bulb change possible                  | Yes             |
| Rated life time L70/B50 at 25 °C      | 276,000 h       |
| Rated life time L80/B20 at 25 °C      | 153.000 h       |
| Rated life time L80/B50 at 25 °C      | 153.000 h       |
| Rated life time L90/B10 at 25 °C      | 74.000 h        |

| Mounting technology   |                  |
|-----------------------|------------------|
| Mounting method       | Surface mounting |
| Place of installation | Ceiling-mounted  |
| Adjustability         | Not adjustable   |
| stamp                 | UKCA             |
| Material cover        | Plastic, opal    |

| Packing data            |   |
|-------------------------|---|
| Gross weight            | 10.5 kg   |
| Length of packaging     | 1,230 mm  |
| Packaging width         | 1,230 mm  |
| Packaging height        | 110 mm  |
| Disposal at end of life | This product must not be disposed of with household waste. You are obliged, to dispose of such electrical waste separately.<br>By disposing of electrical waste and other old or defective electronics separately, you support recycling or other forms of re-use. In that way you help to take care and to avoid that harmful substances get into the environment. |