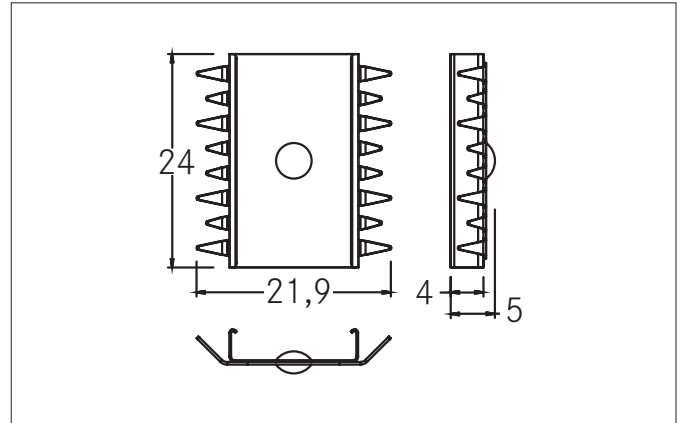
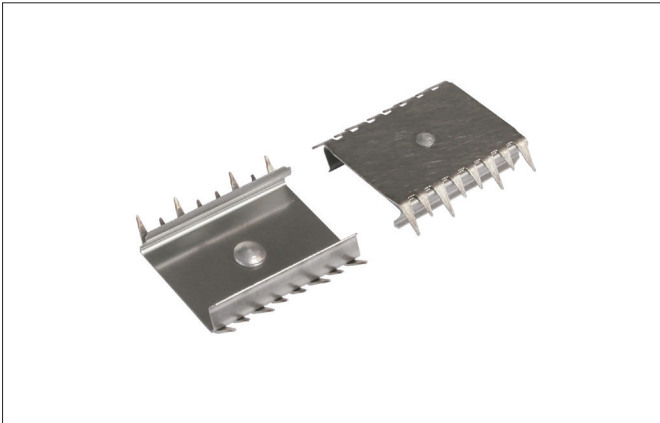


Holder set with tothing

Article no. 53002000

Light.
For Generations.**Tender**

Holder set with tothing, silver. for Material: Aluminium, dimensions profile: length: 24 mm x width: 21,9 mm x height: 5 mm .

Article data	
Article no.	53002000
GTIN	4251433911807
Short description	Holder set with tothing
Material	Aluminium
Colour	Silver
Length	24 mm
Width	21.9 mm
Hight	5 mm
Weight	0.004 kg

Packing data	
Gross weight	0.005 kg
Length of packaging	100 mm
Packaging width	10 mm
Packaging hight	135 mm
Disposal at end of life	This product must not be disposed of with household waste. You are obliged, to dispose of such electrical waste separately. By disposing of electrical waste and other old or defective electronics separately, you support recycling or other forms of re-use. In that way you help to take care and to avoid that harmful substances get into the environment.