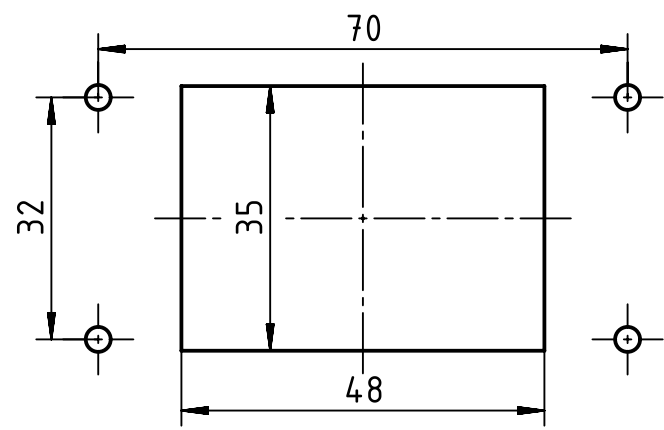



panel cut out



	All rights reserved Department EL PD - DE	All Dimensions in mm Original Size DIN A4		Scale 1:1	Free size tol.	Ref.
		HARTING Electric GmbH & Co. KG D-32339 Espelkamp	Created by RULLKOETTER	Inspected by SUNDERMEIER	Standardisation RUETERA	Date 2017-01-24
Title Han 6B-HMC-HBM-SL						Doc-Key / ECM-Nr. 100705958/UGD/004/A 500000113955
Type TB				Number 09 30 206 0301		Rev. A
						Page 1/1