

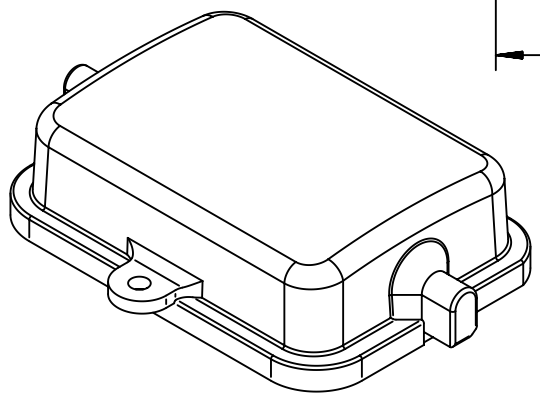
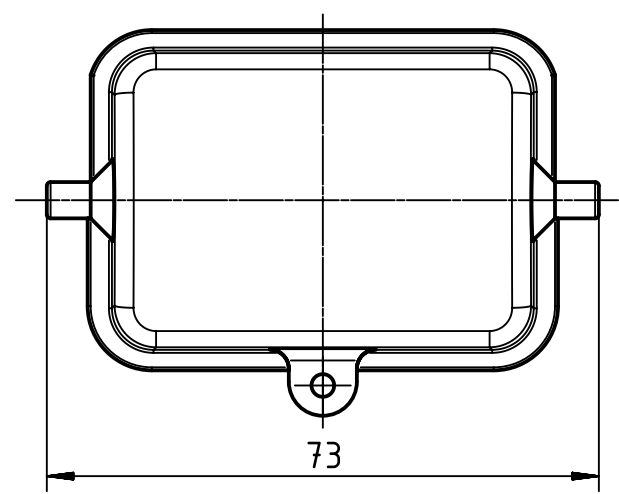
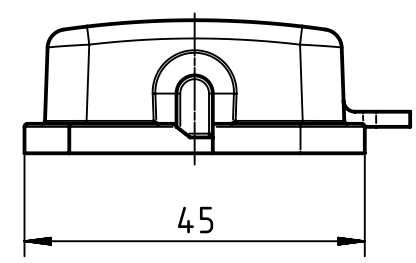
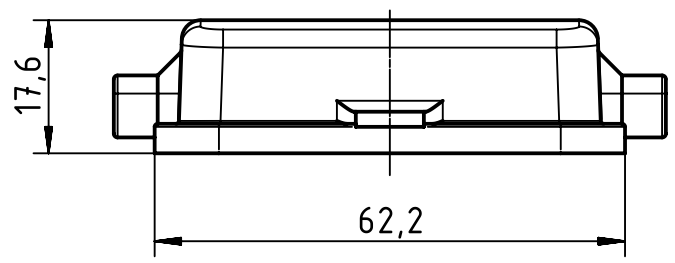
1 2 3 4 5 6

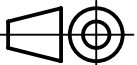

A

B

C

D



 All Dimensions in mm Original Size DIN A4	Scale	Free size tol.			Ref.
	1:1				Sub.
 All rights reserved Department EL PD - DE	Created by	Inspected by	Standardisation	Date	State
	FINKEV	SUNDERMEIER	SCHMIDTM	2015-11-23	Final Release
HARTING Electric GmbH & Co. KG D-32339 Espelkamp	Title				Doc-Key / ECM-Nr.
	Han 6B-Cover Thermoplastic				100628514/UGD/001/B 500000097600
Type		Number		Rev.	Page
TB		09 30 006 5405		B	1/1