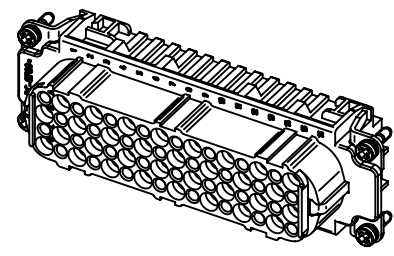
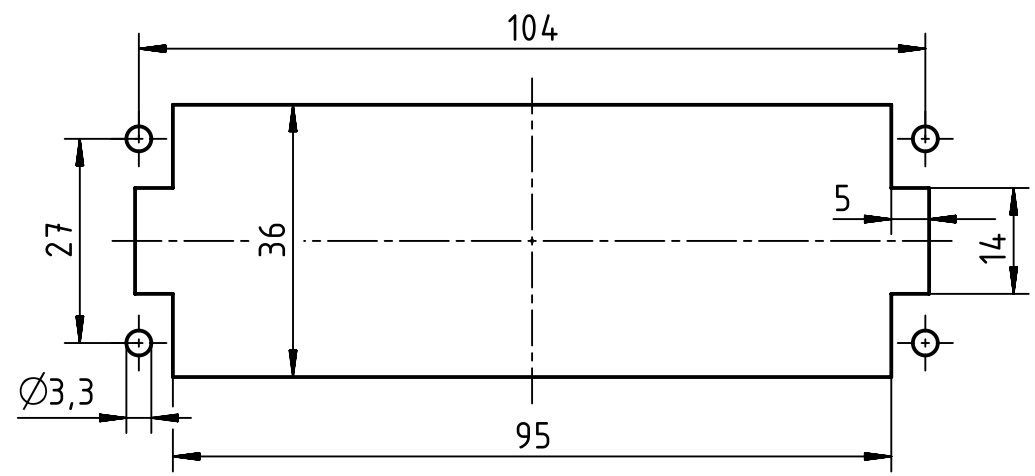


panel cut out



	All Dimensions in mm Original Size DIN A4		Scale 1:1	Free size tol.		Ref.
			Created by LUPU	Inspected by PRIESTER	Standardisation RUETERA	Sub.
All rights reserved		Date 2018-12-06		State Final Release		
Department EL PD		Title Han D 64 Pos. F Insert Crimp				Doc-Key / ECM-Nr. 100179630/UGD/004/B 500000118771
HARTING Electric GmbH & Co. KG D-32339 Espelkamp		Type TB	Number 09 21 064 3101			Rev. B
						Page 1/1