

# TECHNICAL DATA SHEET

OFFICIAL DESIGNATION	IZYMO DIMMER RECEIVER io
COMMERCIAL DESIGNATION	IZYMO LED DIMMER RECEIVER io
REFERENCE	1822663
RANGE	io

## FUNCTIONS



The IZYMO DIMMER RECEIVER io is a radio receiver equipped with the io-homecontrol technology. It is made to transform any compatible lighting into a smart and connected one. It can be placed either behind the wall switch or next to the light source (depending on the installation).

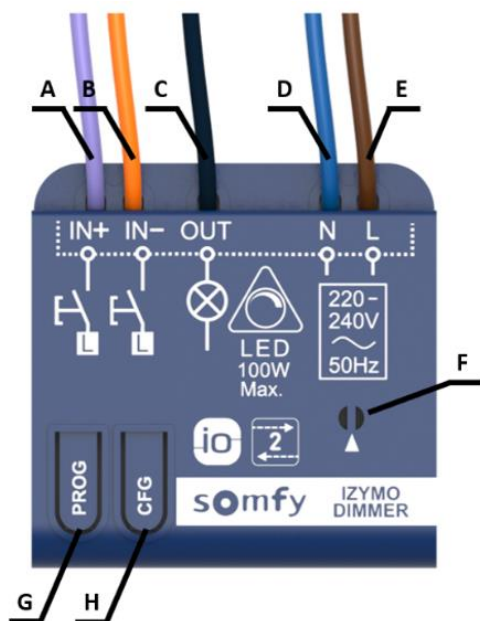
In stand-alone usage, it can be used to add the dimming function to an already installed compatible lighting. It can also be used to add an extra switch to a light without running cables through (IZYMO transmitter io required).



## TECHNICAL SPECIFICATIONS

Power supply	220-240V AC 50Hz, 16A max (16A is the standard upstream electrical protection)
Stand-by consumption	0.293W (Act for Green = 0.5W max)
Output tension	220-240V AC 50Hz, 0.43A
Output max. power	<ul style="list-style-type: none"> <li>• 220-240V dimmable LED bulb: 100W</li> <li>• 12/24V LED or halogen spot light with dimmable electronic transformer: 100W</li> <li>• Trailing edge dimmable LED driver for LED strip: 100W</li> <li>• 220-240V non-dimmable LED bulb (ON/OFF functioning only): 100W</li> <li>• Resistive load (incandescent and halogen): 100W</li> </ul>
Pollution	Cat II
Power supply cable section	Min: 0.75 mm <sup>2</sup>   Max: 1.5 mm <sup>2</sup>
Degree of protection	IP 20
Protection class	Double insulation with no earth
Dimensions	43 x 43 x 13 mm
Radio protocol	io-homecontrol 2-way
Frequency range and effective radiated power	868.000MHz - 868.600MHz e.r.p. < 25 mW 868.700MHz - 869.200MHz e.r.p. < 25 mW 869.700MHz - 870.000MHz e.r.p. < 25 mW
Range in open space	250 m (« HOME » radio range)
Range between 2 concrete walls	20 m
Number of io-homecontrol control points per channel	1-way: 10 remote control devices (the 11th will be refused) 2-way: unlimited
Operating temperature	0°C to +55°C
Humidity	85% HR at 25°C
Altitude	< 2000 m

## PRODUCT DESCRIPTION



Designation	Cable	Mark
Input IN+	Violet	A
Input IN-	Orange	B
Output	Black	C
Neutral power supply N	Blue	D
Live power supply L	Brown	E
Multi-coloured LED	-	F
PROG button	-	G
CFG button	-	H

## COMPATIBILITIES

### All Somfy 1W & 2W io-homecontrol controls/remotes, such as:

- Smoove io range
- Situo 1/5 io
- Situo 1/5 variation io
- Nina & Nina Timer io
- Chronis io
- IZYMO Transmitter io

### All Somfy io alarm systems (\*):

- Home keeper io
- Protexial io

(\*): No direct control. Only as a consequence of a trigger.

### All io-homecontrol compatible boxes:

- TaHoma
- Connexoon Window io
- Connexoon Access io
- Connexoon Terrace io
- E-Connect (Rexel)

### Somfy Pro Tools (coming soon):

- Serv-e-Go
- TaHoma Pro App

### Velux controls:

- 1W
- 2W
- Repeater io

## APPLICABLE STANDARDS

Safety: EN 60669-1 :2018 ; IEC/EN 60669-2-1:2004 + A1 :2008 + A12 :2010

Health: EN 62479:2010

EMC compliances: EN 301489-1 V2.2.3:2019; EN 301489-3 V2.1.1:2019

Radio compliances: EN 300220-1 V3.1.1 :2017 ; EN 300220-2 V3.2.1 :2018

ERP directive and related regulations: Directive 2009/125/EC, standby mode <0.5W

Radio Equipment Directive: RED 2014/53/UE