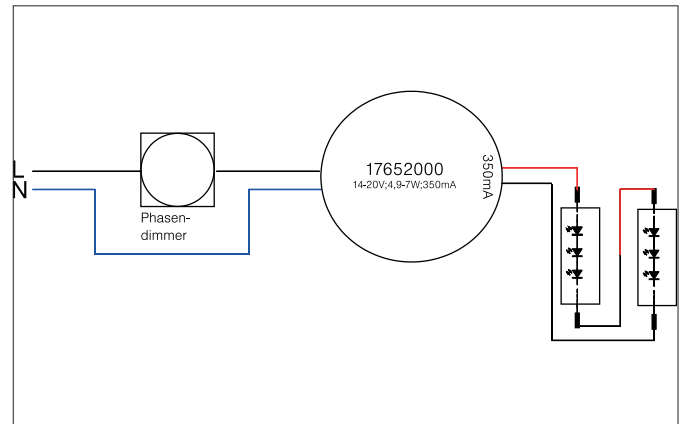


LED-round converter 350 mA, trailing-edge phase dimmer

Article no. 17652020

Light.
For Generations.**Tender**

LED-round converter 350 mA, trailing-edge phase dimmer, , Round.Lamp holder: Plug&Play, Material: Plastic, Degree of protection: according to DIN EN 60529 IP20, Protection class: (EN 61140) II, Current: 350 mA, Voltage: 230V AC 50Hz, Power: 7 W, Dimmable: Yes, Control: Trailing-edge phase.

Article data

Article no.	17652020
GTIN	4251433918707
Short description	LED-round converter 350 mA, trailing-edge phase dimmer
Material	Plastic
Shape	Round
Outer diameter	51 mm
Hight	24 mm
Scope of delivery	Plug&Play version with 110 mm P&P output cable
Weight	0.087 kg
Length of the connection line	110 mm
Conformance	CE

LED-round converter 350 mA, trailing-edge phase dimmer

Article no. 17652020

Light.
For Generations.

Operating technology of driver	
AC nominal voltage min	200 V
AC nominal voltage max	264 V
Frequency min	50 Hz
Frequency max	60 Hz
Output current	350 mA
Protection class	II
Degree of protection	IP20
Starting current	3 A (100 µs)
Power min	4.9 W
Power max.	7 W
Suitable for emergency lighting	No
Control	Trailing-edge phase
Flicker-free	Yes
Environment temperature (ta)	-20 °C bis +50 °C
Measure point (tc)	max. +85 °C
Average nominal lifespan	30000 h
Length of the connection line	110 mm
Version	Plug&Play + connection box
Power factor	0.5

Packing data	
Gross weight	0.124 kg
Length of packaging	95 mm
Packaging width	75 mm
Packaging height	95 mm
Disposal at end of life	This product must not be disposed of with household waste. You are obliged, to dispose of such electrical waste separately. By disposing of electrical waste and other old or defective electronics separately, you support recycling or other forms of re-use. In that way you help to take care and to avoid that harmful substances get into the environment.