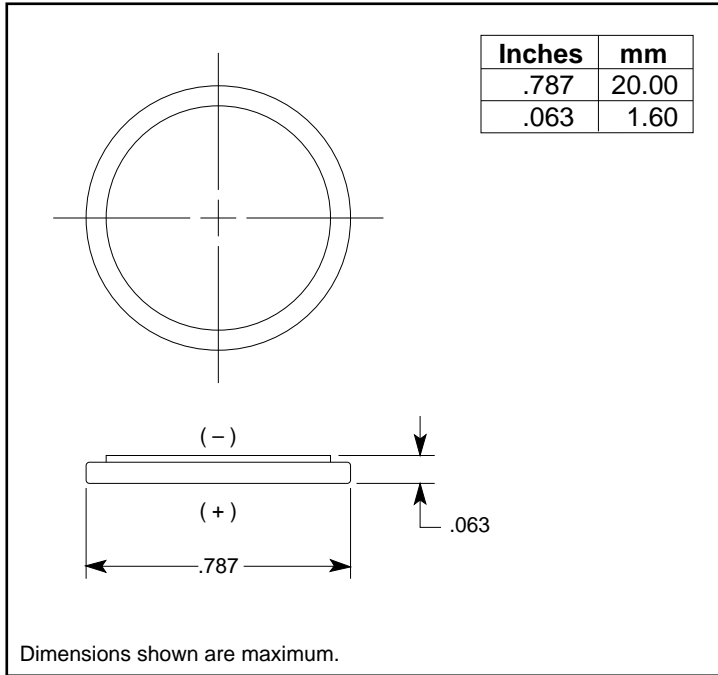
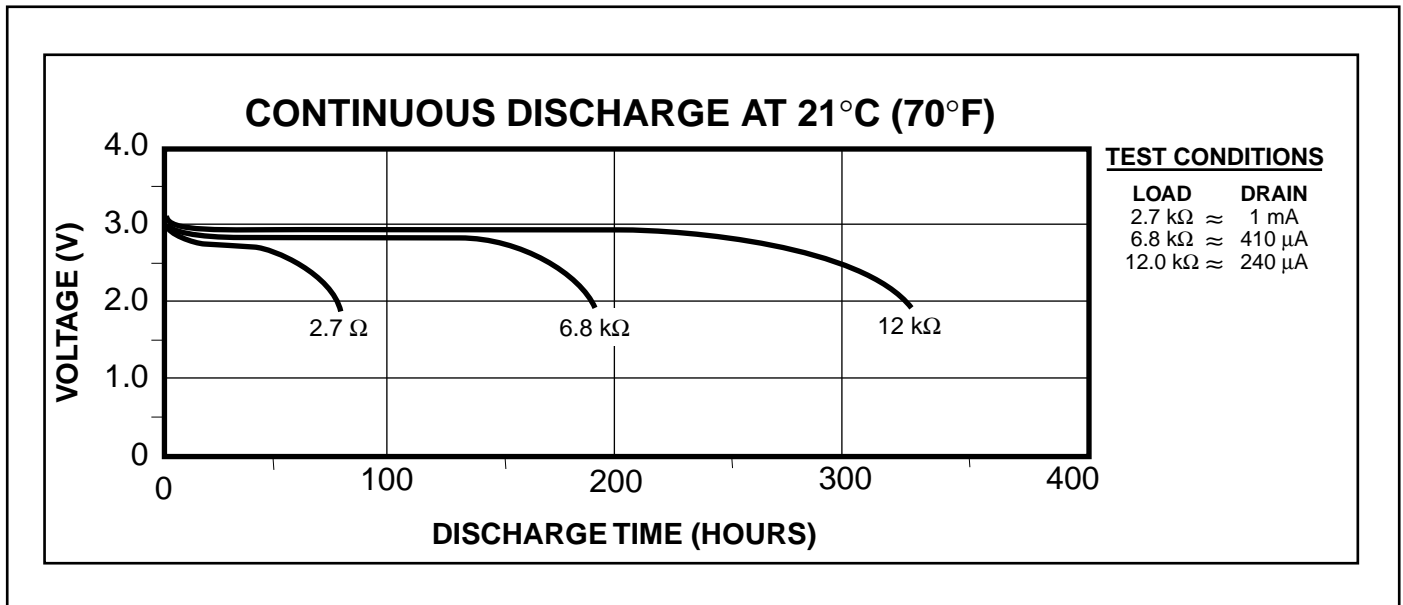


## Lithium/Manganese Dioxide Battery



### SPECIFICATIONS

<b>Nominal Voltage:</b>	3.0 V
<b>Typical Voltage:</b>	3.1 – 3.3 V
<b>Rated Capacity:</b>	75 mAh on 15 kΩ to 2.0 V at 21°C (70°F)
<b>Average Weight:</b>	0.063 oz. (1.8 g)
<b>Volume:</b>	0.031 in. <sup>3</sup> (0.49 cm <sup>3</sup> )
<b>Terminals:</b>	Flat
<b>Operating Temp. Range:</b>	-40°C to 60°C (-40°F to 140°F)
<b>NEDA/ANSI:</b>	5000LC
<b>IEC:</b>	—



## DURACELL INC.

New Products and Technology Division  
 Berkshire Corporate Park  
 Bethel, CT 06801 U.S.A.  
 Telephone: Toll-free 1-800-431-2656  
 Outside North America: 203-791-3274  
 Facsimile: 203-791-3273  
 Internet: www.duracellnpt.com

