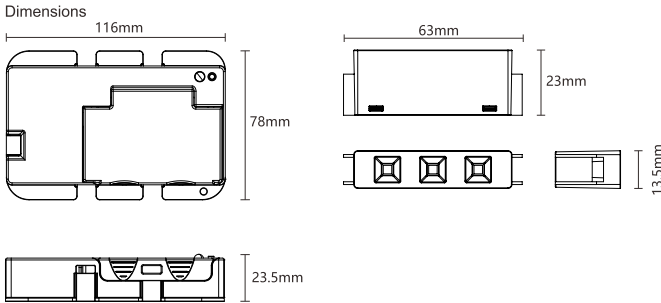


EN Installation Instructions
DE Montageanleitung
CZ Montážní návod
DK Monteringsvejledning
EE Paigaldusjuhend
FI Asennusohje
FR Notice de montage
HU Szerelési útmutató
HR Uputstvo za montažu
NL Montagehandleiding
RO Instructiuni de montaj

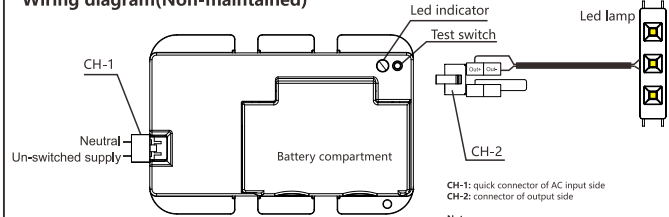
IT Istruzioni di montaggio
LT Montavimo Instrukcijos
LV Instalācijas instrukcija
NO Monteringsanvisning
PL Instrukcja montażu
SE Installationsanvisning
RU Инструкция по монтажу
SRB Instrukcija za instalaciju
SK Montážny návod
SLO Navodilo za montažo
CN 安装说明书

- 1. Installation and commissioning may only be carried out by authorized specialists and wired in accordance with the latest IEEE electrical regulations or the national standards.
- 2. The manufacturer shall not be liable for any damage resulting from inappropriate modifications to the luminaire or faulty installation.
- 3. Light source can't be replaced. The control gear provides basic insulation between the LV supply and the control circuit

SAP Code	Product Description	Input	Input Wattage	Operation temperature
96635292	LARA/SARA E3 Kit SelfTest LiFePO4	AC 220-240V 50-60Hz	3W max	0-+25°C



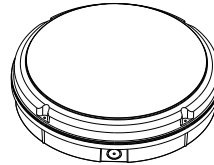
Wiring diagram(Non-maintained)



CH-1: quick connector of AC input side
 CH-2: connector of output side

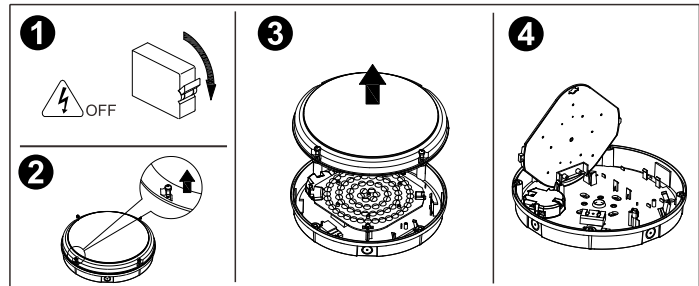
Note:
 Battery and inverter are disconnected when "CH-2" is not connected.

Compatible with:



SAP Code	Product Description
96635284	LARA VARIOFLEX 250 1200 830/35/40
96635285	LARA VARIOFLEX 250 1200 830/35/40 MWS
96635286	LARA VARIOFLEX 300 2200 830/35/40
96635287	LARA VARIOFLEX 300 2200 830/35/40 MWS
96635288	LARA VARIOFLEX 250 1200 BEZEL TRIM WH
96635289	LARA VARIOFLEX 250 1200 MWS BEZELTRIM WH
96635290	LARA VARIOFLEX 300 2200 BEZEL TRIM WH
96635291	LARA VARIOFLEX 300 2200 MWS BEZELTRIM WH

SAP Code	Product Description
96635293	LARA/SARA BEZEL TRIM 250 WH
96635294	LARA/SARA BEZEL TRIM 250 BK
96635295	LARA/SARA EYELID TRIM 250 WH
96635296	LARA/SARA EYELID TRIM 250 BK
96635297	LARA/SARA BEZEL TRIM 300 WH
96635298	LARA/SARA BEZEL TRIM 300 BK
96635299	LARA/SARA EYELID TRIM 300 WH
96635300	LARA/SARA EYELID TRIM 300 BK



5 A. Open the battery hatch

ON	1
Self Test	Manual Test

6

A. Connect the battery

B. Close the battery hatch

C. Mark installation date on battery

LiFePO4 3.2V 3.2Ah

High Temp. LFP Battery
Indication code:
[Progress bar]
Notes: Battery should only be charged in accordance with the manufacturer's instructions. Do not use the battery in hazardous environments. Do not use the battery in hazardous environments. Do not use the battery in hazardous environments.

7

LiFePO4 3.2V 3.2Ah

8 Fill in 4-digit code on back of the product

X	0	F	180
X Self-contained	0 Non-Maintained	F Self-test according to IEC 61347-2-7, EL-T marked	180 Duration (Minutes)

9

E3

Power ON

LED <3h

10 Replace the battery(Order 96635658)

A. Open the battery hatch

B. Remove the battery and disconnect the plug

C. Close the battery hatch

D. Mark installation date on battery

High Temp. LFP Battery
Indication code:
[Progress bar]
Notes: Battery should only be charged in accordance with the manufacturer's instructions. Do not use the battery in hazardous environments. Do not use the battery in hazardous environments. Do not use the battery in hazardous environments.

Self-test

The emergency kits carry out self-tests automatically to ensure its functionality. The self-test includes 3 types of tests:

Initial test

- As soon as mains supply is connected, the emergency kit will carry out a 3-seconds functional test automatically.
- In case of a failure, the LED will turn permanent red. Otherwise, the charge mode will start.

Functional test

- Refers to charging, discharging and the functioning of load.
- Carry out for 10 seconds automatically every 30 calendar days.

Duration test

- Refers to the test of batteries capacity.
- Carry out every 180 calendar days.

Rest mode

Rest mode can be initiated during emergency mode by pressing test switch longer than 3 seconds. The rest mode will be exited automatically after reconnect AC mains.

Timer reset

Press test switch >15 seconds in charging mode, will reset timer for functional and duration test. Meanwhile indicator red flash once, then indicator green slowly flash 3 times, this means timer resetting is successful.

Please note

If mains supply is off during self-test period, emergency conversion module would terminate self-test immediately and go into emergency mode.

Self-test is under the regulation of EN62034.

Yearly manual test will have no impact on battery life.

Explanation of LED indicator

	Color	LED indication	Status	Comment
	Green	Permanent green	Charging mode Fully charged	AC mode
	Green	Fast flashing green (0,1 sec on, 0,1 sec off)	Function test underway	
	Green	Slow flashing green (1 sec on, 1 sec off)	Duration test underway	
	Red	Permanent red	Load failure	Open circuit/ Short circuit Led failure (emergency mode)
	Red	Slow flashing red (1 sec on, 1 sec off)	Battery failure	Battery failed the duration test or function test / No battery
		Green and red off	DC mode	Battery operation (emergency mode)

