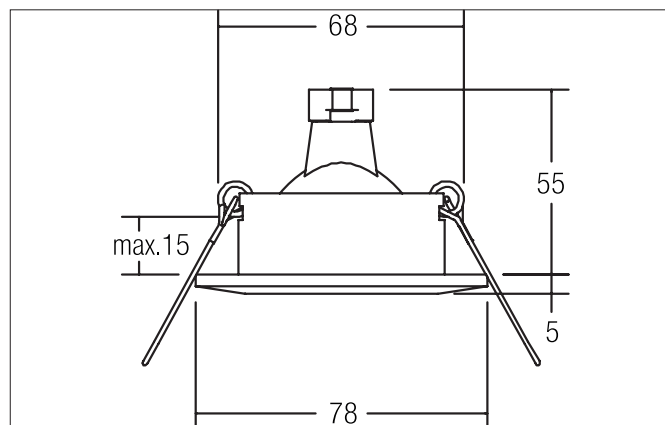


VELEK Recessed downlight, GX5,3

Article no. 2117.07

Light.
For Generations.**Tender**

Recessed downlight, GX5,3, glossy white, Round. In a compact design, for installation in tool-less rapid assembly systems. Lamp holder: GX5.3, Mounting method: Recessed mounting, Place of installation: Ceiling-mounted, Material: Cast aluminium, Degree of protection: according to DIN EN 60529 IP20, Protection class: (EN 61140) III, Voltage: 12V, Power: 50 W, Amount of light sources / fittings: 1 Qty, Adjustability: Not adjustable, without control gear, Dimmable: Depending on type of control gear, Control: Depending on driver.

Product Benefits

- Round recessed downlight made of cast aluminum.
- For LED retrofit lamp GX5.3.
- Easy and tool-free installation.
- Dimmable when using appropriate accessories.
- Diameter 80 mm, ceiling cutout 60 mm, installation depth 55 mm, ceiling thickness max. 25 mm.
- Available in chrome, chrome matt and white color finishes

VELEK Recessed downlight, GX5,3

Article no. 2117.07

Light.
For Generations.

| Article data | |
|--------------------|---------------------------|
| Article no. | 2117.07 |
| GTIN | 4250047709039 |
| Series name | VELEK |
| Short description | Recessed downlight, GX5,3 |
| Material | Cast aluminium |
| Colour | White |
| Type of surface | Glossy |
| Shape | Round |
| Outer diameter | 78 mm |
| Built-in diameter | 68 mm |
| Installation depth | 55 mm |
| Hight | 5 mm |
| Weight | 0.095 kg |
| stamp | UKCA |

| Operating technology of the luminaire | |
|---------------------------------------|-----------------------------------|
| System output | 50 W |
| Voltage type | AC/DC |
| AC nominal voltage max | 12 V |
| Frequency max | 50 Hz |
| Lamp | For LED-retrofill lamp |
| Lamp holder | GX5.3 |
| Protection class | III |
| Degree of protection | IP20 |
| Dimmable | Depending on type of control gear |
| Control | Depending on driver |
| Bulb change possible | Yes |

| Mounting technology | |
|------------------------|---|
| Mounting method | Recessed mounting |
| Place of installation | Ceiling-mounted |
| Adjustability | Not adjustable |
| Max. ceiling thickness | 15 mm |
| Further references | No mounting box No cover with thermal insulation material |
| Material cover | Without cover |
| Circlip | With circlip |

| Packing data | |
|-------------------------|---|
| Gross weight | 0.11 kg |
| Length of packaging | 85 mm |
| Packaging width | 43 mm |
| Packaging hight | 84 mm |
| Disposal at end of life | This product must not be disposed of with household waste. You are obliged, to dispose of such electrical waste separately. By disposing of electrical waste and other old or defective electronics separately, you support recycling or other forms of re-use. In that way you help to take care and to avoid that harmful substances get into the environment. |