



SV
9342.321



1 SV Anschlussblock 1600A
60mm Schienenmittenabstand

1 SV connection block 1600A
60mm busbar centre distance

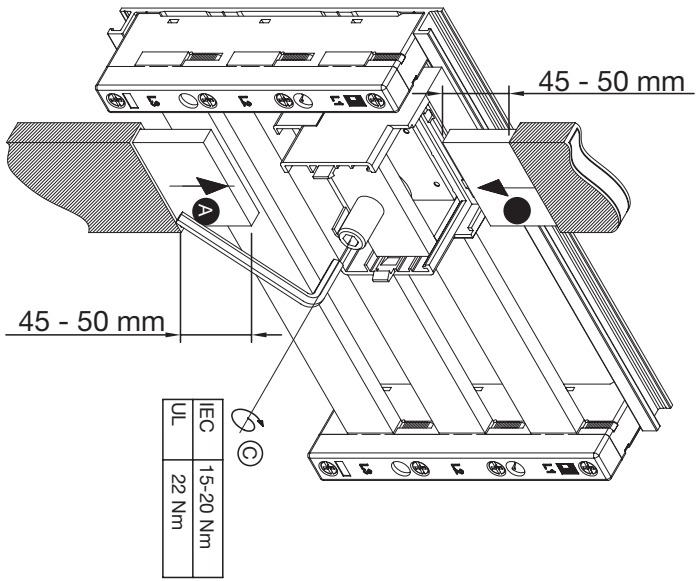
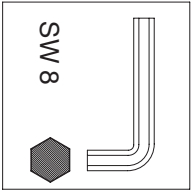
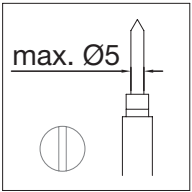
1 bloc de raccordement SV 1600A
60mm d'écartement entre les axes des barres

Suitable for use on a circuit capable of delivering not more than 65 kA SCCR symmetrical amperes, 600 Volts maximum.

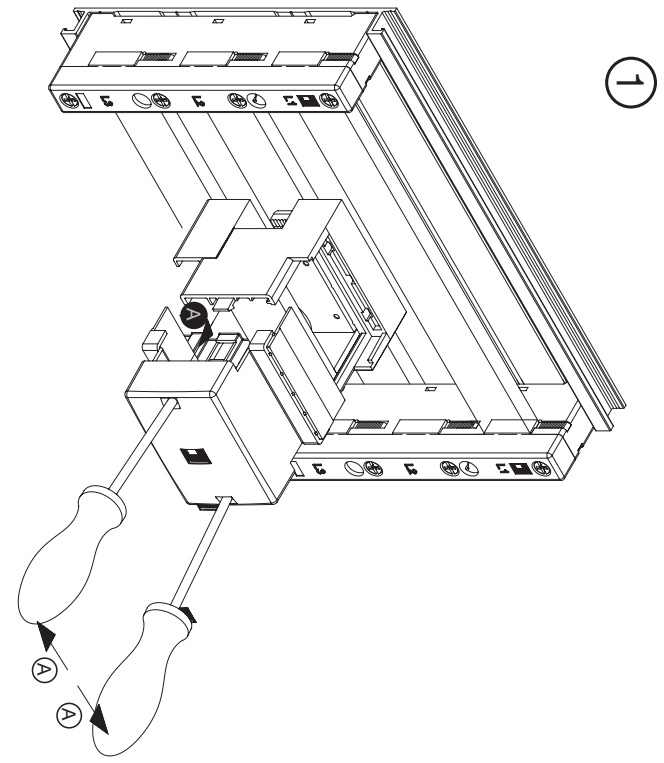
When protected by K5 Class Fuses.

Zchnng.-Nr. / No. of dwg. : A4168101SV
Versandbeutel-Nr. / No. of accessory bag : -

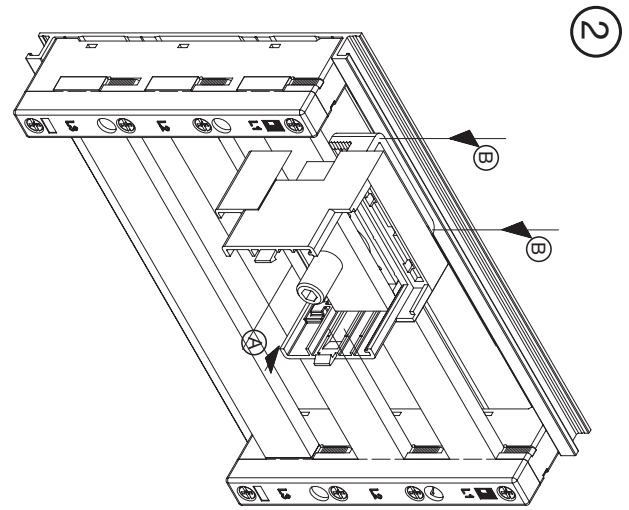
Lieferanten-Nr. / No. of supplier : 6895301



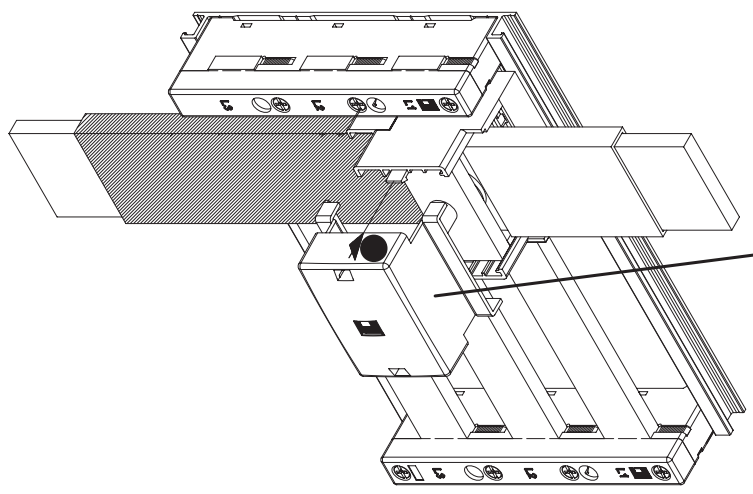
3



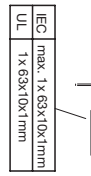
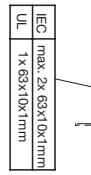
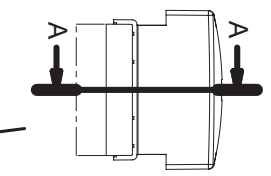
1



2



4



A-A