

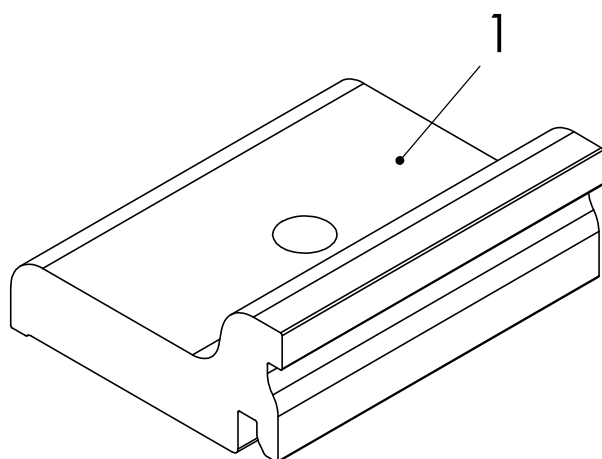
1

2

3

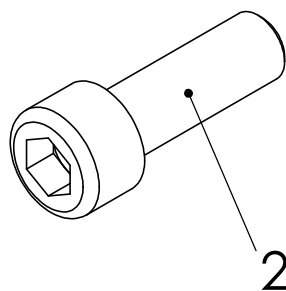
4

A

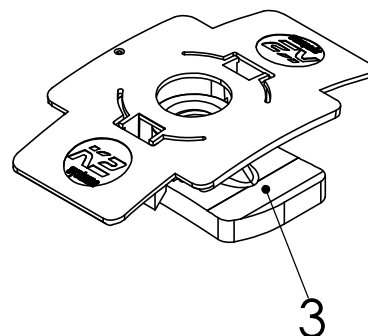


B

C



D



E

POS-NR.	item no.	name	quantity
1	2001334	Climber 3.0	1
2	2001730	Allen Bolt EN ISO 4762 - M8x30 - SER	1
3	1001643	M K2 Slot nut with clip	1

F



K2 Systems GmbH
 Industriestraße 18
 71272 Renningen
 07159/42059-0

Designation:

Data sheet
 K2 Climber 3.0 Set

	Name	Date	Material:	Item no.:	2001626	A4
Designed	E. Berger	07.05.2014	EN AW-6063 T66 / A2			
Approved	M. Wiggers	07.05.2014	Surface: blank	Drawing no.:	09-54-002	All dimensions in mm
Last change	S. Renz	10.04.2015	Weight: ca. 0,14 kg	Scale: 1:1		Sheet 1 of 1

This drawing is the sole property of K2 Systems GmbH. It is protected by copyright and may only be copied, reproduced or distributed to a third party with explicit permission!