

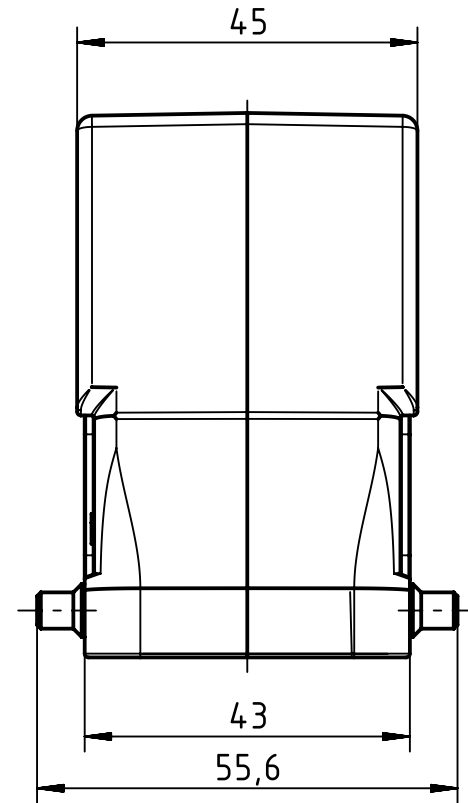
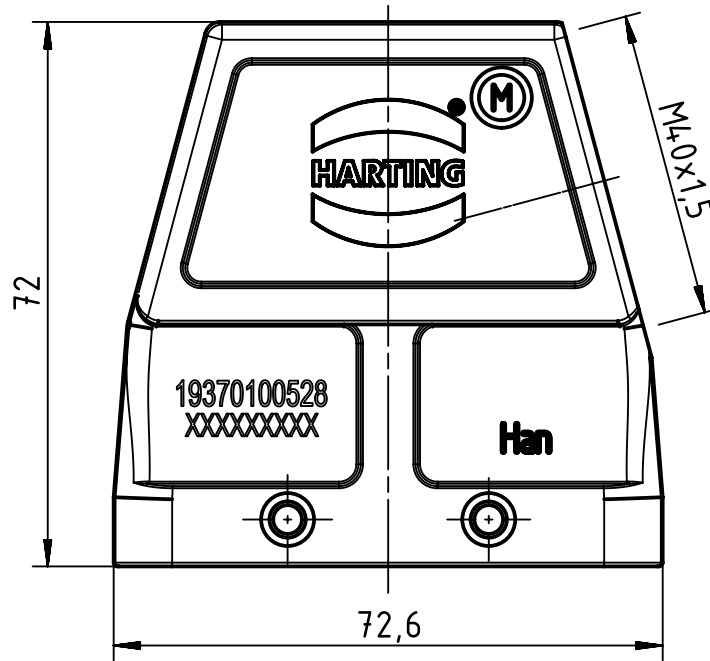
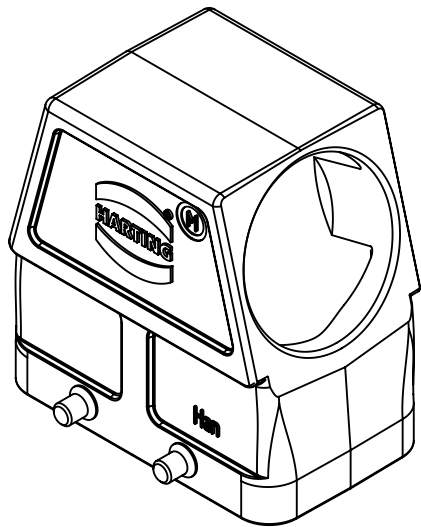
1 2 3 4 5 6

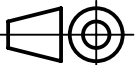

A

B

C

D



 All Dimensions in mm Original Size DIN A4	Scale	Free size tol.			Ref.	
	1:1				Sub. TB 09 37 010 0543 v. 01.03.11	
 All rights reserved Department EL PD - DE	Created by	Inspected by	Standardisation	Date	State	
	SPRENB	RIEPE	SCHMIDTM	2013-06-05	Final Release	
HARTING Electric GmbH & Co. KG D-32339 Espelkamp	Title				Doc-Key / ECM-Nr.	
	Han 10M-gs-M40				100540325/UGD/004/A 500000062747	
Type		Number			Rev.	Page
TB		19 37 010 0528			A	1/1