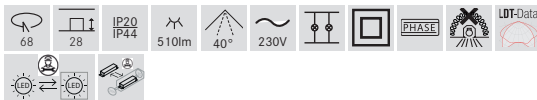
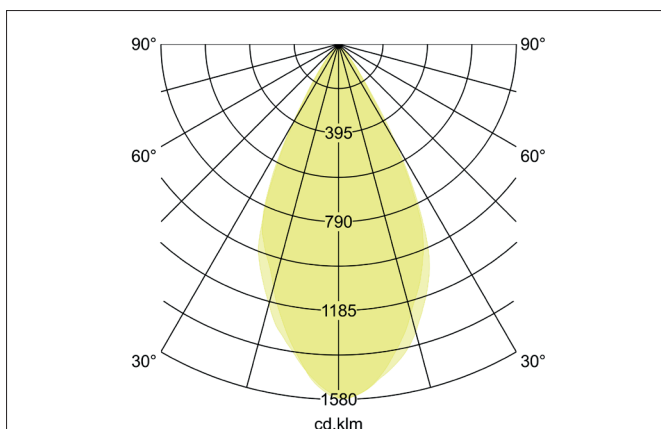
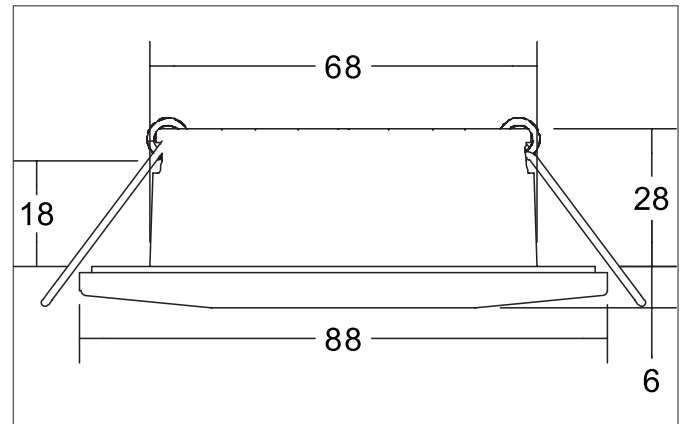


CHOOOSE LED recessed downlight set, with adjustable color temperature, trailing-edge phase dimmable

Article no. 39253153

Light.
For Generations.**Tender**

LED recessed downlight set, with adjustable color temperature, trailing-edge phase dimmable, Round. Toolless ceiling installation by installation springs. Ceiling cut-out Ø 68 mm, Installation depth 28 mm, Outer diameter 88 mm, Weight 0,203 kg, Reflector silver with rotational-symmetrical, deep, wide distributed light intensity. optimal light distribution due to a polycarbonat clear cover. Luminous flux 510 lm, Power 1 x 4,5 W, Light colour neutral white to warm white, Correlated color temperature (CCT) 4.000 - 2.700 K, Colour rendering index CRI > 80, Housing material: Aluminium / Steel / Plastic, Colour: Nickel, Permissible ambient temperature (ta): -20 °C - +25 °C, Protection class (EN 61140): II, Degree of protection (DIN EN 60529): IP44, .With electronic driver, Trailing-edge phase dimmable.

Product Benefits

- IP44 protection class for indoor wet room applications
- Flexible adjustment of the desired color temperature via DIP switch on the front
- Magnetically attached round bezel (alternatively: square)
- Available in three current colors
- Standard ceiling cut-out 68 mm - low installation depth 28 mm
- Dimmable via trailing-edge phase dimmer as standard (supplied as a set)
- Panels also available individually (for conversion, renovation, etc.)

CHOOOSE LED recessed downlight set, with adjustable color temperature, trailing-edge phase dimmable

Article no. 39253153

Light.
For Generations.

Article data	
Article no.	39253153
GTIN	4251433958109
Series name	CHOOOSE
Short description	LED recessed downlight set, with adjustable color temperature, trailing-edge phase dimmable
Material	Aluminium / Steel / Plastic
Colour	Nickel
Type of surface	Glossy
Shape	Round
Outer diameter	88 mm
Built-in diameter	68 mm
Installation depth	28 mm
Hight	6 mm
Scope of delivery	with front DIP switch for color temperature adjustment (switch hidden under magnetically attached cover)
Weight	0.203 kg
Conformance	CE, UKCA

Lighting technology	
Colour temperature	2.700 K / 3.000 K / 4.000 K
Light colour	White
Light output	Direct
Luminous flux	510 lm
System efficiency	113 lm/W
Colour rendering	CRI > 80
Reflector	High-gloss
Reflector colour	silver
Beam angle	40°
Light sharing	Symmetric
Adjustable color temperature	Stages

Operating technology of the luminaire	
System output	4.5 W
Voltage type	AC
AC nominal voltage max	230 V
Frequency max	50 Hz
Lamp	LED
Protection class	II
Degree of protection	IP44
Protection class on the ceiling side	IP20
Dimmable	Yes
Control	Trailing-edge phase
Bulb change possible	The light source of this luminaire may only be replaced by the manufacturer or a service technician commissioned by him or a similarly qualified person.



Mounting technology	
Mounting method	Recessed mounting
Place of installation	Ceiling-mounted
Adjustability	Not adjustable
Max. ceiling thickness	15 mm
Further references	No cover with thermal insulation material
Material cover	Polycarbonat clear
Suitable for through-wiring	Yes, with optional accessories

CHOOOSE LED recessed downlight set, with adjustable color temperature, trailing-edge phase dimmable

Article no. 39253153

Light.
For Generations.

Packing data	
Gross weight	0.257 kg
Length of packaging	95 mm
Packaging width	75 mm
Packaging height	95 mm
Disposal at end of life	This product must not be disposed of with household waste. You are obliged, to dispose of such electrical waste separately. By disposing of electrical waste and other old or defective electronics separately, you support recycling or other forms of re-use. In that way you help to take care and to avoid that harmful substances get into the environment.

Accessories	
	Article no.: 8 1253070 Interchangeable cover CHOOOSE Dimensions: 88 mm x 6 mm
	Article no.: 8 1253080 Interchangeable cover CHOOOSE Dimensions: 88 mm x 6 mm