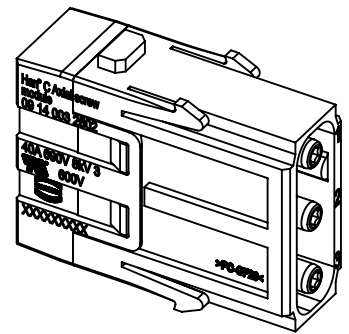


for stranded wire 6-10mm<sup>2</sup>, AWG 10-8, fine wire



	All rights reserved Department EL PD	All Dimensions in mm Original Size DIN A4		Scale 2:1	Free size tol.	Ref.
		HARTING Electric GmbH & Co. KG D-32339 Espelkamp	Created by RULLKOETTER	Inspected by RIEPE	Standardisation TIEMANNA	Date 2018-10-02
Title Han C axial module, male 6-10mm <sup>2</sup>						Doc-Key / ECM-Nr. 100169077/UGD/007/D 50000014.0842
Type TB				Number 09 14 003 2602		Rev. D
						Page 1/1